



Description

The W2-122 subwoofer is a high output, high sensitivity, vented low frequency loudspeaker system with extended low frequency response down to 35 Hz. It includes two 12" cast-frame, carbon-fiber, double-spider Ferrofluid-cooled drivers mounted in a tuned vented enclosure.

Engineered for use in permanent installations, the loudspeaker enclosure and faceplate are constructed of multilayer glass composite, providing extreme structural strength. A three-layer Weather-Stop™ grille provides weather-resistance to the internal components, while all exposed hardware is stainless steel or powder-coated aluminum extrusion. Six 1/2-13 mounting points are included.

The W2-122 is backed by a five-year product warranty plus a fifteen year enclosure warranty.

Applications

- Outdoor Entertainment Centers
- Theme and Amusement Parks
- Cruise Ships
- Swimming Pools
- Music Pavilions
- Musical Fountains
- Water Parks

Features

All-Weather, Multilayer Glass Composite Enclosure

Stainless Steel Hardware

Integral Mounting Points

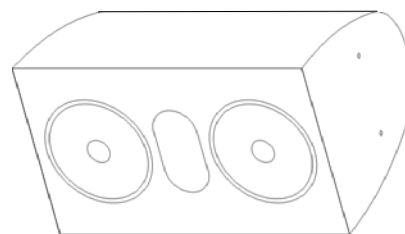
Dual-layer Powder Coated Weather-Resistant Stainless Steel Grille

Ferrofluid-Cooling

Available in Black or White Finishes

W2-122

WET SERIES II FULL-RANGE DUAL 12-INCH SUBWOOFER



SYSTEM

Format: Dual 12-inch subwoofer

Operating Range: 35 Hz - 600 Hz

Frequency Response: 40 Hz - 160 kHz (± 1.5 dB)

Dispersion (-6 dB): 360° H x 180° V

Maximum SPL @ 1m: 121 dB continuous / 128 dB peak

Crossover Frequency: N/A

Sensitivity in SPL: 95 dB (50 Hz - 160Hz, 1/3 octave)
(1W/1m, free space)

Max Power Handling: 400 W RMS
1000W Program

Impedance: Nominal 4 Ω / Min. 4.8 Ω at 200 Hz

TRANSDUCERS

Low Frequency: 2 x 12" (304.8 mm)

MECHANICAL

Enclosure: Hand-laminated fiberglass

Finish: Black or white gelcoat

Rigging Provisions: Six 1/2-13 rigging points

Input Connection: 16-2 SJOW (12 ft. / 4m)

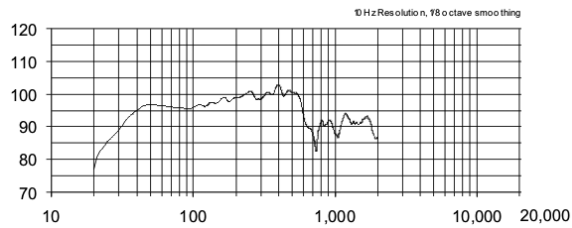
Grille: Three-layer Weather-Stop™

Dimensions: 19.38" (492 mm) x 33.63" (854 mm)
H x W x D x 21" (533 mm)

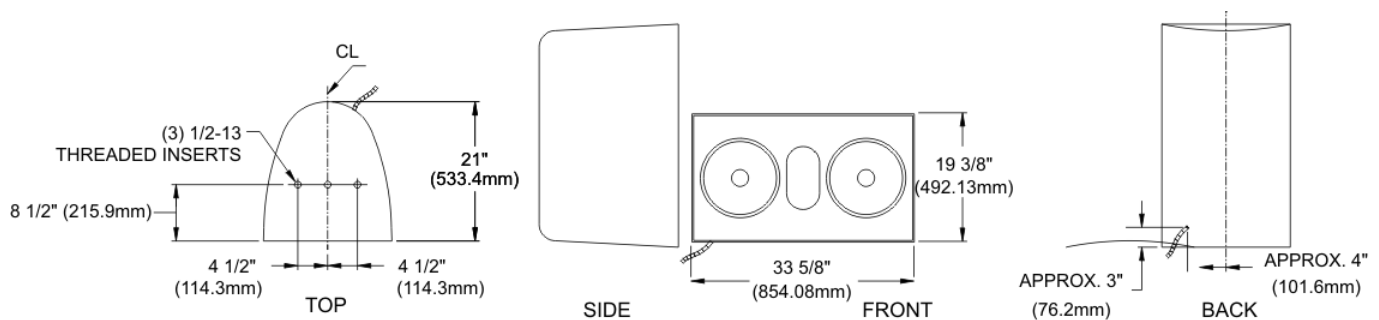
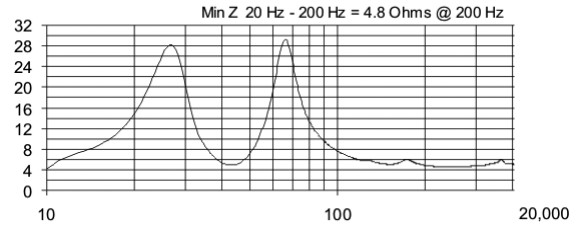
Net Weight: 82 lbs / 37.2 kg

Recommended signal processing available upon request.

FREQUENCY RESPONSE



IMPEDANCE



Architects' and Engineers' Specifications

The loudspeaker system shall be a vented bass reflex multilayer glass composite enclosure with dual cast-frame, carbon-fiber, double-spider 12-inch Ferrofluid-cooled woofers. There shall be a 12' (4m) #16 gauge SJOW input cable. There shall be six 1/2-13 integral threaded mounting points connected to internal reinforcement. The system shall have an amplitude response of 40 Hz - 160 kHz (± 1.5 dB), input capability of 40V RMS, 95 dB sensitivity referenced to a 2.0V input and 4 ohm nominal impedance. The nominal dispersion shall be omnidirectional throughout the operating range. The loudspeaker shall be 19.38 in. (492 mm) high x 33.63 in. (854 mm) wide x 21 in. (533 mm) deep and weigh 82 lb (37.2 kg).

Community strives to improve its products on a continual basis. Specifications are therefore subject to change without notice.