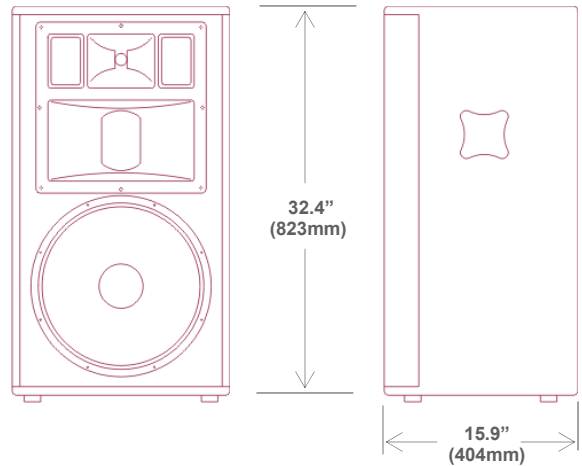


Community

S-SERIES

S-3594

THREE-WAY FULL-RANGE LOUDSPEAKER SYSTEM



Description

The S-3594 is a three-way, ruggedly built full-range loudspeaker system suitable for a wide variety of usage in portable applications and permanent installations.

Featuring mid-range and high-frequency drivers loaded by geometrically correct hand-laid fiberglass waveguides, the S-3594 provides improved pattern control over that of two-way designs, making it ideally suited for use in difficult reverberant environments, as well as in long-throw outdoor applications.

Its exceptionally high power and low distortion enables it to handle the full gamut of musical styles such as classical, acoustic, jazz, house, dance, trance and rock, all with ease.

Employing advanced technologies usually found only in the highest price touring systems, the S-3594 is characterized by powerful, extended bass, an effortless mid-range, and a clear, detailed high frequency response.

Its carefully designed crossovers provide flat acoustic power response throughout the critical mid-range region, while its exclusive internal DYNA-TECH™ circuitry provides protection against abusive conditions. The S-3594 is a highly versatile performer intended for use by professional rental companies, touring musicians, Mobile DJs and others seeking superb quality at an affordable price.

Applications

- **Concerts**
- **Touring**
- **Mobile DJ**
- **Event PA**

Features

DYNA-TECH™
Dynamic Protection

Switchable Bi-amp /
Single-amp Operation

Switchable Music /
Speech Voicing

Ferrofluid Treated
MF & HF Drivers
Improve Cooling

Non-Resonant, Non-
Metallic HF Diaphragm
for Reduced Distortion

Carbon Ring Cone
Technology Provides
30% More Piston Area
and Increased Excursion
Capability

Dual NL4 and Dual
1/4" Input / Output
Connectors

SYSTEM

Format: Three-way full-range, vented bass - switchable passive or bi-amp x-over Rotatable fiberglass horn

Operating Range: 55 Hz - 20 kHz

Frequency Response: 80 Hz - 16 kHz (± 3 dB)

Dispersion (-6 dB): 90° H x 40° V

Maximum SPL @ 1m : 123 dB continuous / 130 dB peak

Crossover Frequency: 800 Hz / 3 kHz

Sensitivity in SPL: 100 dB (100 Hz - 10 kHz 1/3 octave)
(1W/1m free space) 101 dB (250 Hz - 4 kHz speech range)

Max Power Handling: 200W RMS
(passive) 500W Program / 990W Peak

Impedance (passive): Nominal 8Ω / Min. 2.5Ω at 9.8 kHz

TRANSDUCERS

Low Frequency: 15" (381mm) 200W RMS
500W Program, 8Ω

Mid-Frequency: 6.5" (165mm) 100W RMS
250W Program, 8Ω

High Frequency: 1" (25.4mm) 50W RMS
125W Program, 4Ω

MECHANICAL

Enclosure: 11-ply cross-laminated birch

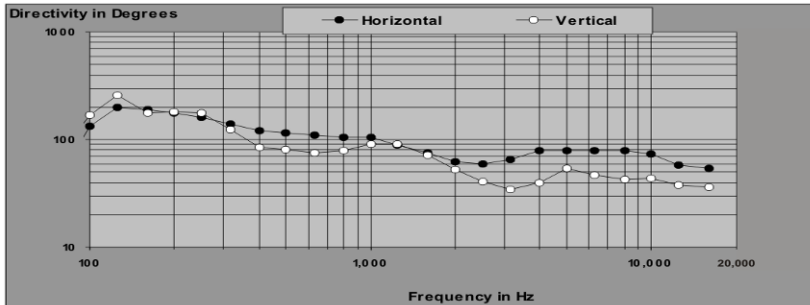
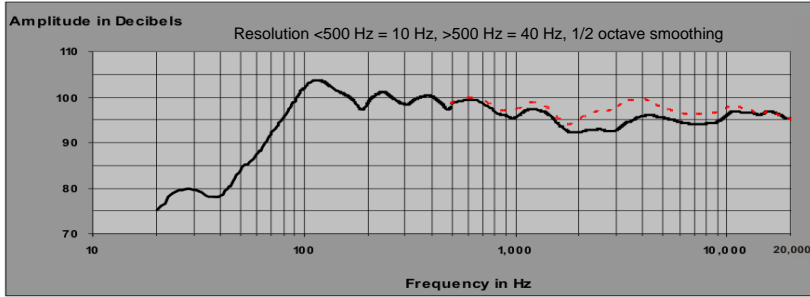
Finish: Black catalyzed polyester paint

Rigging Provisions: 10 - M10 threaded rigging fittings¹
(four on top, four on bottom,
two on rear)

Grille: Steel, powder coated black

Dimensions: 32.4" (823mm) x 18.4" (467mm) x
H x W x D 15.9" (404mm)

Net Weight: 58 lbs / 26.3 kg



FREQUENCY RESPONSE

Note: Response may be altered by use of *Presence Switch*. The solid black line depicts the MUSIC position; the dotted red line depicts the SPEECH position.

BEAMWIDTH

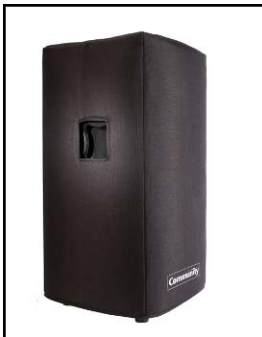
Note: Indicates Horizontal and Vertical Directivity Index in Degrees vs. Frequency.

Recommended Power: 400 to 625 WRMS¹ at 8Ω

Recommended High-Pass Filter: 55 Hz, 24 dB/octave

¹WRMS = Watts Root Mean Square

Accessories



Padded Transport Covers
Protect your S-Series loudspeakers from scratches and mars.
Model CVR-S35



Eyebolt Kit

Suspend your S-Series loudspeakers safely and easily.
Model M10EYBLTKIT

Support Stand

Elevates a full-range S-Series loudspeaker using the subwoofer as the base.
Model SB5

Vertical Fly Kit

One kit lets you fly two S-Series enclosures in a splayed array; two kits let you fly three enclosures, and so on. **Model VFKIT**



Seat Track Rigging Kit

The quick-release fittings get your S-Series enclosures up in the air and back down again, quickly and safely.
Model STKIT



Community Professional Loudspeakers, 333 East Fifth Street, Chester, PA USA 19013-4511

TEL: 610-876-3400 • FAX: 610-874-0190 • www.communitypro.com