



PROFESSIONAL LOUDSPEAKERS

# WET112

WEATHER RESISTANT SUBWOOFER

**SPECIFICATIONS (See notes 1 and 2)**

**Loudspeaker Type:** Weather Resistant Subwoofer

**Operating Range:** 40 Hz - 250 Hz

50 Hz - 250 Hz (+/-4dB)

**Max Input Ratings:** 200W continuous, 500W program

40 volts RMS, 89 volts momentary peak

**Recommended Power Amplifier:**

420W to 600W @ 8 Ohms

**Sensitivity 1W/1m:** 95 dB SPL (63 Hz-160 Hz 1/3 octave bands)

**Maximum Output:** 118 dB SPL / 125 dB SPL (peak)

**Nominal Impedance:** 8 Ohms

**Min Impedance:** 6.7 Ohms @ 200 Hz

**Nominal -6 dB Beamwidth:** 360° H x 360° V

**Axial Q / Di:** 1 / 0, 40 Hz - 150 Hz

**Recommended Signal Processing:**

100 Hz - 150 Hz crossover

40 Hz high pass filter

**Drivers:** LF (1) triple-spider 12", Ferrofluid-cooled

**Driver Protection:** None

**Input Connection:** 12' (4m) #16 guage SJOW

**Controls:** None

**Enclosure:** Multi-Layer Glass Composite, Black Gel coat

**Enclosure Hardware:** (4) 1"x1/2-13 bolts

**Mounting / Rigging Provisions:** (4) 1"x1/2-13 inserts

**Grille:** 3 Layer Weather-Stop™

**Required Accessories:**

40 Hz High pass filter

**Optional Accessories:**

digital speaker controller

SSY25 stainless steel mounting bracket

**Dimensions:**

Height: 13.75 in. / 349.25 mm

Width: 26 in. / 660.4 mm

Depth 14.5 in. / 368.3 mm

**Weight:**

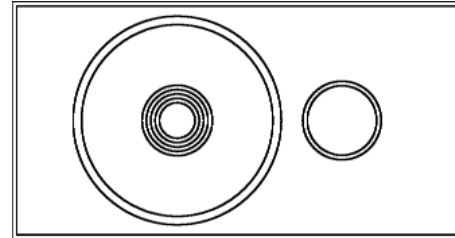
48lb. / 21.8 kg

**Shipping Weight:**

54 lb. / 24.5 kg

1. Sensitivity: Free field pink noise measurement at 12 ft / 3.7m at 60% power; extrapolated to 1 meter and an input of 2.83 volts RMS.

2. Watts: All wattage figures are calculated using the rated nominal impedance.



**APPLICATIONS:**

- Waterparks, Theme and Amusement Parks
- Indoor/Outdoor Entertainment Centers
- Swimming Pools
- Cruise Ships
- Music Pavilions
- Stadium Fill
- Musical Fountains

**FEATURES:**

- All-weather, Multi-Layer Glass Composite
- Stainless Steel Hardware
- Integral Mounting Points
- Weather-Stop™ Grille

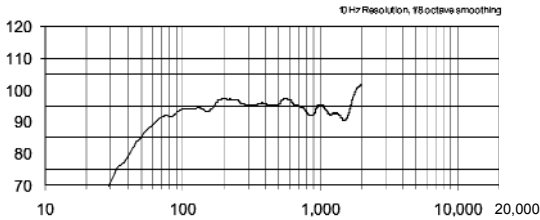
## DESCRIPTION

The Community WET112 subwoofer is a high output, high sensitivity, vented low frequency loudspeaker system with extended low frequency response down to 50 Hz. Includes one 12" cast frame Ferrofluid-cooled driver mounted in a tuned vented enclosure. Engineered for use in permanent installations. The loudspeaker enclosure is constructed of multi-layer glass composite.

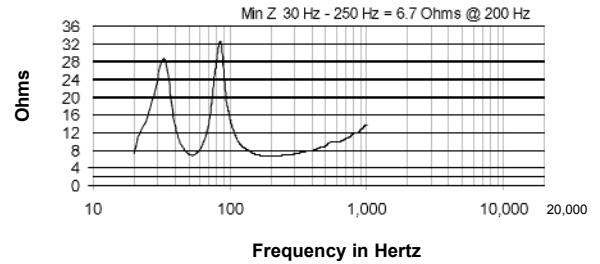
Use with Community WET Series loudspeakers with our digital system controller.

Five year limited warranty.

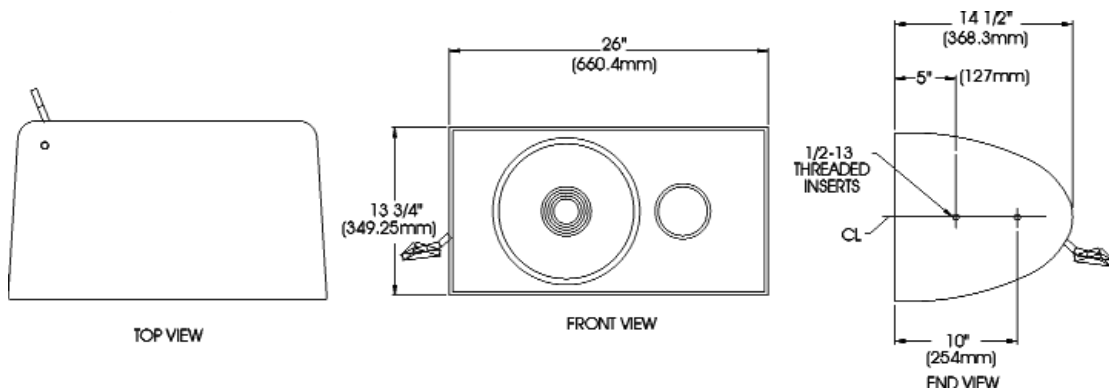
## FREQUENCY RESPONSE (WITHOUT CONTROLLER)



## IMPEDANCE



## DIMENSIONS



## ARCHITECTS AND ENGINEERS SPECIFICATIONS

The loudspeaker system shall be a vented bass reflex multi-layer glass composite enclosure with one cast frame triple-spider 12 in. Ferrofluid-cooled woofer. There shall be a 12' (4m) #16 gauge SJOW input cable. There shall be (4) 1/2-13 integral threaded mounting points connected to internal bracing. The system shall have an amplitude response of 50 Hz to 250 Hz, input capability of 40V RMS, 95 dB sensitivity referenced to a 2.83V input and 8 ohm nominal impedance. The nominal dispersion shall be omnidirectional throughout the operating range. The loudspeaker shall be 26 in. W x 13.75 in. H (front) x 14.5 in. D and weigh 48 lbs.

## LIMITED WARRANTY

Community loudspeaker systems are guaranteed to be free from defects in materials and workmanship for a period of five years from the original date of sale. Since the warranty applies to the product, the remainder of the warranty period will be automatically transferred to any subsequent owner. Only failures caused by defects in materials and workmanship are covered, not failures caused by abuse, accident, modification, improper handling/installation, or repairs made without factory authorization or by other than an authorized Community Field Service Station. Products covered by this warranty will be repaired or replaced at the option of Community, without charge for materials or labor, provided all the terms of this warranty have been met. This statement is a condensed version of the Community Product Warranty, intended for quick reference only. For complete warranty information, consult the product owner's manual or call (610) 876-3400 for a copy.