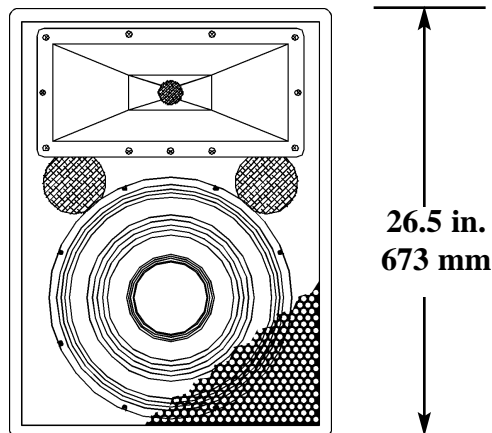


SPECIFICATIONS (See notes 1 and 2)

- Loudspeaker Type:** 2-way, Stage monitor, bass ported
Operating Range: 50 Hz - 18 kHz
 50 Hz - 18 kHz (+/-5dB)
Max Input (Passive): 200W continuous, 500W program
 40 volts RMS, 89 volts momentary peak
Recommended Power Amp:
 420W to 600W @ 8 Ohms
Max Inputs (Biamp):
 LF: (Same as for Passive mode)
 Recommended LF Power Amp: (Same as for Passive mode)
 HF: 50W continuous, 125W program
 20 volts RMS, 45 volts momentary peak
 Recommended HF Power Amp: 100W to 150W @ 8 Ohms
Sensitivity 1W/1m:
 99 dB SPL (63 Hz - 16 kHz 1/3 octave bands)
 99 dB SPL (250 Hz - 4 kHz speech range)
Maximum Output: 122 dB SPL / 129 dB SPL (peak)
Nominal Impedance (passive): 8 Ohms
Min Impedance: 5.2 Ohms @ 160 Hz
Nominal Impedances (Biamp): LF: 8 Ohms, HF: 8 Ohms
Nominal -6 dB Beamwidth:
 50° H (+7° / -10°, 2 kHz - 10 kHz)
 35° V (+14° / -10°, 2 kHz - 10 kHz)
Axial Q / DI:
 26.4 / 14.2, 2 kHz - 10 kHz
Crossover Frequency: 2 kHz
Recommended Signal Processing: 40 Hz high pass filter
Drivers:
 LF (1) 15", Ferrofluid-cooled
 HF (1) 1" exit, titanium diaphragm
Driver Protection: PowerSense™ DDP
Input Connection: (2) Neutrik NL4MP, (2) 1/4 in. jack
Controls: Passive / Biamp switch
 2 position HF level switch
Enclosure: 13-ply 18 mm Baltic birch, Polane painted (see options)
Enclosure Hardware:
 (2) Steel recessed bar handles
 (4) Heavy-duty rubber feet
Mounting / Rigging Provisions:
 (2) 5/16-18 mounting points
 (4) 5/16-18 stand adapter attachment points
Grille: 16 gauge perforated steel, black powder coated (see options)
Required Accessories: None
Supplied Accessories: None
Optional Accessories: CSSUPKIT: 2 steel straps for rigging
Dimensions (in normal operating position):
 Height: 19.3 in. / 490 mm
 Width: 19.5 in. / 494 mm
 Depth: 30.9 in. / 785 mm
Weight: 60 lb. / 27.2 kg
Shipping Weight: 68 lb. / 30.9 kg

- Sensitivity:** Free field pink noise measurement at 20 ft / 6.1 m at 25% power; extrapolated to 1 meter and an input of 2.83 volts RMS.
- Watts:** All wattage figures are calculated using the rated nominal impedance.



APPLICATIONS:

- Theatres / Auditoria
- Live PA
- Houses of Worship
- Sport Facilities & Health Clubs
- Clubs

FEATURES:

- 1" Titanium HF Driver
- Switchable Passive / Biamp Modes
- 2 Position HF Level Switch
- PowerSense™ DDP Circuit with Front & Side Indicators
- Wedge-type Enclosure for Stage Monitoring
- Steel Bar-Handles and Steel Input Panel
- Mounting Points
- Choice of Black, White, or Unfinished Exterior

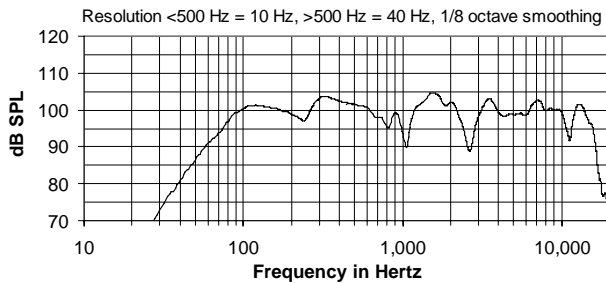
DESCRIPTION

The XLT48E is a compact high-efficiency wedge-type two-way stage monitor system with clear articulate output and smooth frequency response. It features a 15" Ferrofluid-cooled woofer and a 1" titanium diaphragm compression driver coupled to a 60 x 40 degree Pattern Control horn in a heavily-braced, optimally tuned, bass reflex enclosure. A robust crossover with dynamic driver protection monitors the power to each driver and absorbs excessive power. There is a choice of two HF horns for the XLT48E - a 90 x 40 (XLT48E-94) and a 60 x 40 (XLT48E-64). A rear panel LED illuminates when the protection circuitry is active, warning the operator of excessive power input. A Passive / Biamp switch allows easy switch-over between two modes of operation. The 13 ply Baltic birch enclosure is available finished in black or white paint or unfinished ready for painting or staining. Five year warranty.

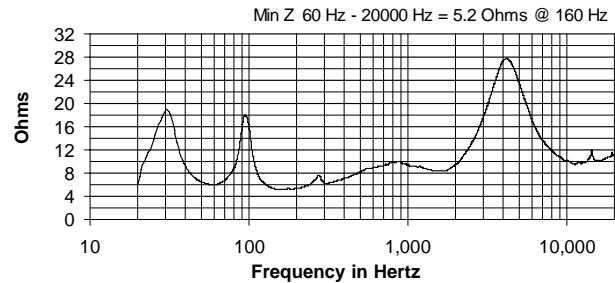
OPTIONS:

- XLT48E-64B = black painted
- XLT48E-64W = white painted
- XLT48E-64U = unfinished
- Grille: white has white cloth covering, unfinished has brown cloth covering

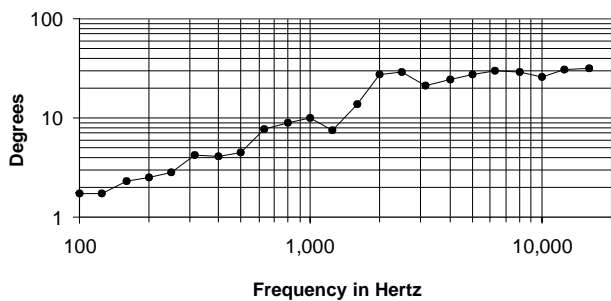
FREQUENCY RESPONSE



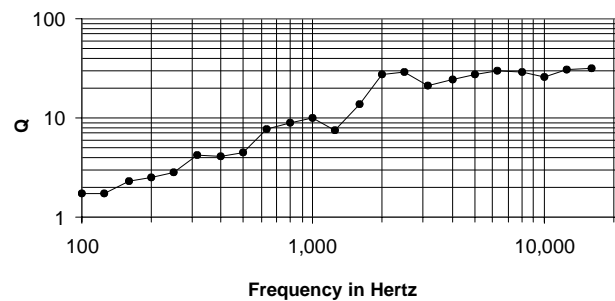
IMPEDANCE



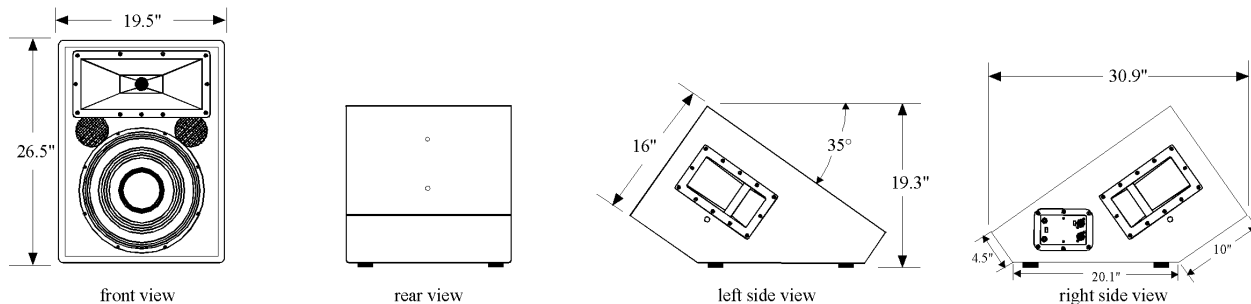
BEAMWIDTH



AXIAL Q



DIMENSIONS



ARCHITECTS' AND ENGINEERS' SPECIFICATIONS

The loudspeaker system shall be a two-way, full-range wedge-type bass reflex design. The loudspeaker system shall have one 15 in. Ferrofluid-cooled woofer and one 1 in. exit HF driver with a titanium diaphragm mounted to a 60° HF fiberglass horn. Drivers shall be connected to an integral crossover with a crossover frequency of 2 kHz and integral over-current protection circuitry using high positive current coefficient resistors. There shall be two NL4MP connectors and two 1/4" phone jack connectors with a switch for passive or biamplified connection and rear-facing LED over-power indicator light. The loudspeaker enclosure shall be 13-ply Baltic birch plywood with a 16 gauge perforated steel grille {with a white {{brown}}cloth cover} and {{unfinished.}}finished with black {white} paint. The system shall have an amplitude response of 50 Hz to 18 kHz (+/- 5 dB), input capability of 40V RMS, 99 dB sensitivity at one meter and 2.83V / 8 ohms nominal impedance. The nominal dispersion shall be 50°H x 35°V from 2 kHz to 10 kHz. The loudspeaker shall be 19.3 in. (490 mm) H x 19.5 in. (494 mm) W x 30.9 in. (785 mm) D and weigh 60 lbs (27.2 kg).