



# XP530

PROFESSIONAL LOUDSPEAKERS TWO-WAY, BI-AMPABLE MULTI-ANGLE MONITOR WITH 90° X 40° HF HORN

## SPECIFICATIONS (See notes 1 and 2)

**Loudspeaker Type:** 3-way, full-range  
**Operating Range:** 50 Hz - 18 kHz  
 70 Hz - 15 kHz (+/-6dB)  
**Max Input (Passive):** 400W continuous, 1000W Program  
 40 volts RMS, 89 volts momentary peak

### Recommended Power Amplifier:

For maximum SPL: 800W to 1200W @ 4 Ohms

### Sensitivity 1W/1m:

101 dB SPL (63 Hz - 13 kHz 1/3 octave bands)  
 102 dB SPL (250 Hz - 4 kHz speech range)

### Maximum Inputs (biamp):

LF (same as for passive mode)  
 HF: 80W continuous, 200W PGM @ 4 Ohms

**Maximum Output:** 127 dB SPL / 134 dB SPL (peak)

**Nominal Impedance (Passive):** 4 Ohms

**Min Impedance:** 3.3 Ohms @ 11 kHz

### Nominal -6 dB Beamwidth:

65° H (+17° / -19° (1 kHz - 12.5 kHz)  
 30° V (+20° / -9° (1 kHz - 12.5 kHz)

**Axial Q / DI:** 19.5 / 12.9, 1 kHz - 12.5 kHz

**Crossover Frequency:** 500 Hz / 2.5 kHz

**Recommended Signal Processing:** 40 Hz high pass filter

**Drivers :** LF (1) 15"

MF (1) 6.5" Ferrofluid-cooled

HF (1) 1" exit, non-metallic diaphragm,  
Ferrofluid-cooled

**Driver Protection:** IntelliSense™

**Input Connection:** (2) Locking connectors  
 (compatible with Speakon™ NL4)  
 (2) 1/4" jacks

**Controls:** HF presence switch  
 Bi-amp/Full-range switch

**Enclosure:** Black carpeted 3/4" Luaun-core plywood

### Enclosure Hardware:

(2) Steel recessed bar-handles  
 (8) Interlocking corner protectors

### Mounting / Rigging Provisions:

(1) 1-3/8" metal stand socket  
 (3) 5/16-18 suspension strap attachment points

**Grille:** 16 gauge perforated steel, black powder coated

**Required Accessories:** None

**Supplied Accessories:** None

**Optional Accessories:** Strapkit: (3) steel straps for suspending

### Dimensions (including corner protectors):

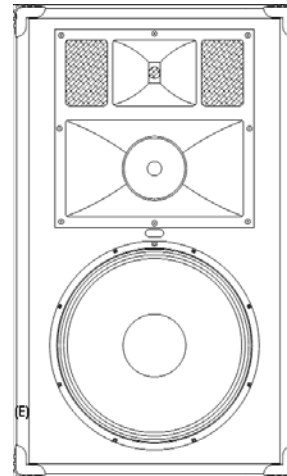
Height: 33.9" / 861 mm  
 Width (front): 20.3" / 516 mm  
 Width (rear): 13.7" / 348 mm  
 Depth: 18.2" / 462 mm

**Weight:** 65 lb. / 29.5 kg

**Shipping Weight:** 76 lb. / 34.5 kg

**1. Sensitivity:** Free field pink noise measurement at 40 ft / 12.2 m at 50% power; extrapolated to 1 meter and an input voltage of 2 volts RMS.

**2. Watts:** All wattage figures are calculated using the rated nominal impedance.



## APPLICATIONS:

- Sound Reinforcement / Portable PA
- Clubs/DJ
- Houses of Worship
- Sport Facilities & Health Clubs
- Rental Systems
- Industrial AV
- Keyboard Systems

## FEATURES:

- 1" Exit Proprietary, Ferrofluid-cooled UC1 HF Driver, Non-metallic Diaphragm
- 3 Color PowerMeter™ LEDs
- IntelliSense™ Three Stage Solid State Protection Circuitry with Front/Rear Indicators
- Steel Bar-Handles and Input Panel
- Black Carpeted Exterior
- Switchable High Frequency Boost and Cut Switch
- Full-range/Biamp Operation

## DESCRIPTION

The XP530 is a bi-ampable, full-range, three-way bass reflex loudspeaker system engineered for use in small to medium PA systems in clubs or performance applications. The 65°H x 30°V HF horn is rotatable for narrower horizontal coverage or for vertical mounting. The XP530 features an improved IntelliSense™ circuitry, which operates in conjunction with PowerMeter™ LED indicators. Found on both front and rear panels, the LEDs flash green to indicate signal presence, yellow to warn that the loudspeaker is entering its first stages of protection and red to show that full protection has been activated. Within protection mode, IntelliSense automatically attenuates speaker levels to within a safe operating range. Once volume has been reduced, the circuit resets itself, restoring full power and operation to the speaker. The black carpeted enclosure and black perforated steel grille present an attractive and rugged package. Five year

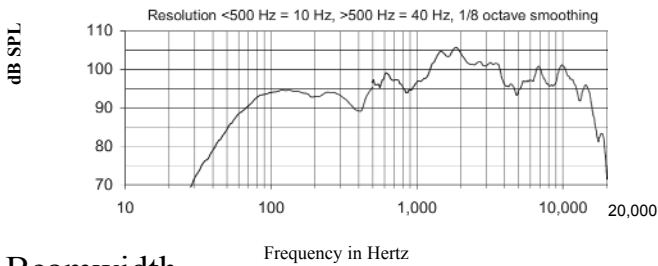
XP530 Page 1 of 2

COMMUNITY PROFESSIONAL LOUDSPEAKERS

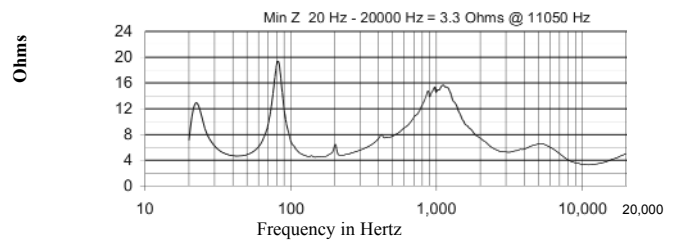
333 East 5th Street, Chester, PA USA 19013-4511 TEL (610) 876-3400 FAX (610) 874-0190

www.loudspeakers.net

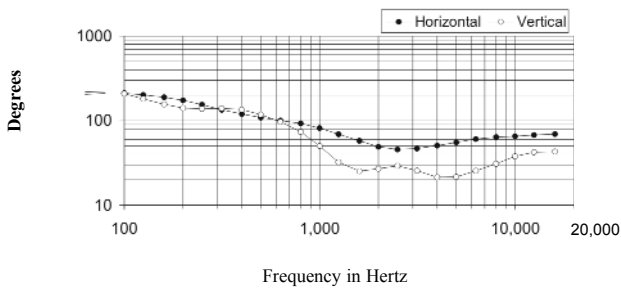
## Frequency Response



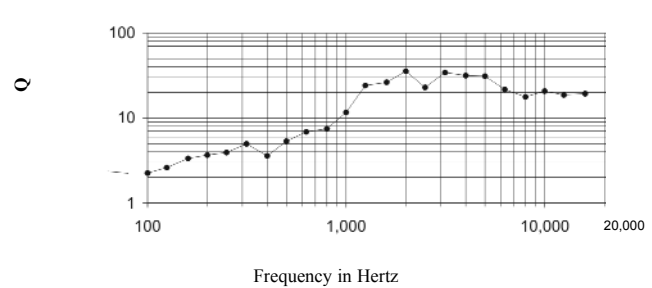
## Impedance



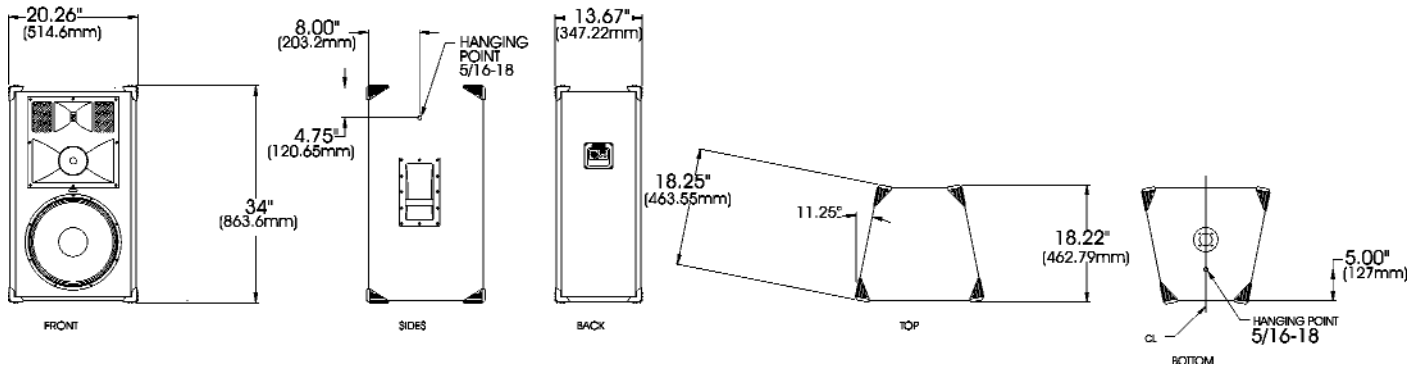
## Beamwidth



## Axial Q



## DIMENSIONS



## ARCHITECTS AND ENGINEERS SPECIFICATIONS

The loudspeaker system shall be a three-way, bi-ampable, full-range bass reflex trapezoidal design with one 15" woofer, one 6.5" Ferrofluid-cooled midrange driver and one 1" exit HF driver with a non-metallic diaphragm mounted to a 65°H x 30°V molded horn. Drivers shall be connected to an integral crossover with crossover frequencies of 500 Hz and 2.5 kHz an integral three stage protection circuitry. There shall be two locking connectors and two 1/4" phone jack connectors. The loudspeaker enclosure shall be black carpeted plywood with a 16 gauge perforated steel grille. The system shall have an amplitude response of 70 Hz to 15 kHz (+/- 6 dB), input capability of 40V RMS, 101 dB sensitivity at one meter and 2V / 4 ohms nominal impedance. The nominal dispersion shall be 65°H x 30° V from 1 kHz to 12.5 kHz. The loudspeaker shall be 33.9" (862 mm) H x 20.3" (515 mm) W (front) x 13.7" (348 mm) W (rear) x 18.2" (462 mm) D and weigh 65 lbs (29.5 kg).