



CSX50-S2

CARPETED SUBWOOFER LOUDSPEAKER SYSTEM

APPLICATIONS:

- Concerts
- Theatres
- Clubs
- Mobile DJ
- Houses of Worship
- Entertainment

FEATURES:

- PowerSense™ Dynamic Driver Protection
- Cast Frame, Ferrofluid™ cooled
18" (457 mm) Woofer
- Black-Carpeted Exterior

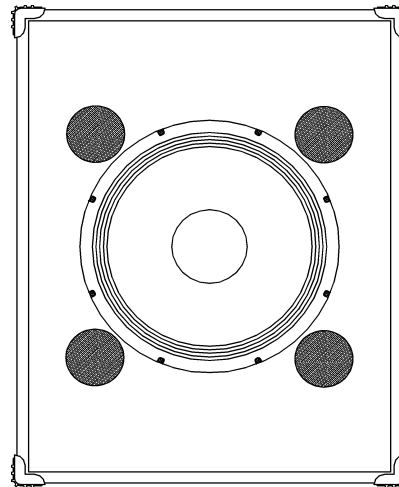
DESCRIPTION

The CSX50-S2™ is a rugged, high-sensitivity, subwoofer system. The system utilizes a cast-frame, Ferrofluid-cooled 18" (457 mm) woofer for solid bass and excellent power handling capability. The woofer is matched to an optimally tuned direct radiating bass-reflex enclosure that is easy to permanently install via T-Nuts. The integral handles, black carpeted exterior and injection molded corners also make this system attractive, rugged and easily transportable.

The CSX50-S2 offers a robust 150 Hz internal PowerSense Dynamic Driver Protection crossover. The CSX-S2 PowerSense crossover is built to last with high quality capacitors, inductors and military grade circuit boards. The proprietary PowerSense DDP protection circuit provides both over-current and thermal protection for added performance and reliability.

Designed as an integral part of the CSX-S2 line of loudspeaker systems, the CSX50-S2 offers additional deep bass response when used with any of the CSX-S2 full-range systems. The systems unique 150 Hz high-pass crossover output makes it easy to add to existing full-range systems without additional amplifiers and electronic crossovers.

Mounting is easily accomplished utilizing the threaded inserts provided and optional mounting kits. This product should never be suspended by its handles.



SPECIFICATIONS

Loudspeaker Type:

Direct-Radiating Bass-Reflex Subwoofer

- Frequency Response:** 35-150 Hz
- Power Handling:** 200W RMS
500W Program
- Recommended Amp:** 400W to 625W @ 4 Ohms
- Sensitivity at 1W/1M:** 98 dB
- Nominal Dispersion:** Omni
- Nominal Impedance:** 4 ohms
- Crossover Frequency:** 150 Hz

Low-Frequency Driver:

One 18" (457 mm), Ferrofluid-cooled

Speaker Protection: PowerSense DDP

Input Connectors:

Dual Neutrik Speakon in parallel
Dual 1/4" phone jacks in parallel

Enclosure Material:

Black carpet covered high density particle board
16 Gauge perforated steel grille

Dimensions:

Height: 33.5 inches (851 mm.)
Width: 26.75 inches (679 mm.)
Depth: 18 inches (457 mm.)

Weight: 113 lbs. (51.3 kg.)

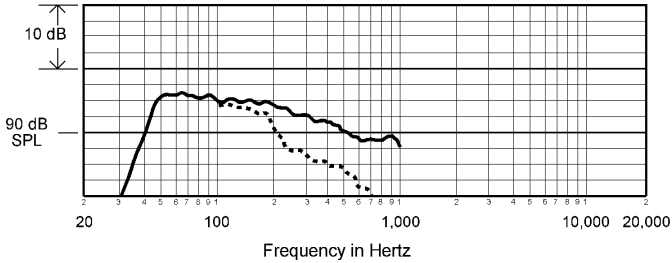
Shipping Weight: 126 lbs. (57.2 kg.)



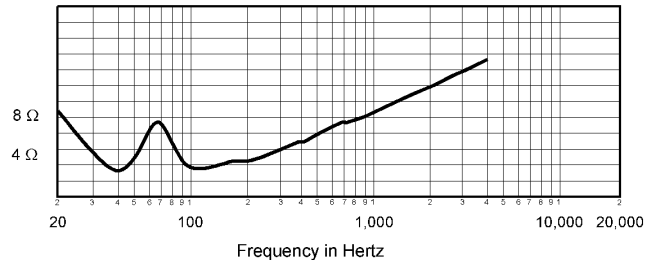
CSX50-S2

CARPETED SUBWOOFER LOUDSPEAKER SYSTEM

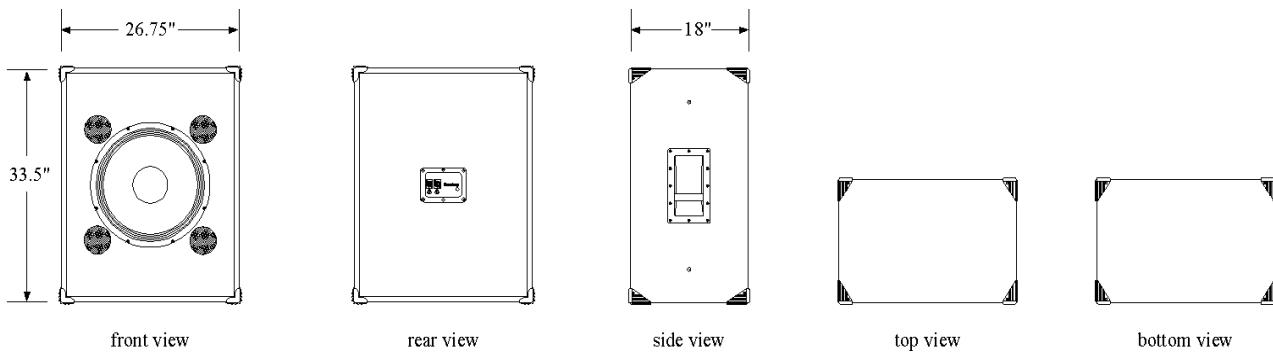
FREQUENCY RESPONSE



IMPEDANCE



DIMENSIONS



ARCHITECTS' AND ENGINEERS' SPECIFICATION

The loudspeaker system shall be a direct-radiating, bass-reflex design with a single Ferrofluid-cooled 18" (457 mm) woofer front mounted and connected to an integral crossover/protector. The crossover/protector shall provide 12 dB/octave low pass at 150 Hz to the woofer and 6 dB/octave high pass to an external jack utilizing high quality capacitors, inductors and high positive current coefficient resistors (HPCCR's) for woofer protection. The loudspeaker enclosure shall have an internal volume of 7.6 cu. liters and be constructed of dense, well braced stock covered in black carpeting with eight injection molded corners and two built-in handles. The system shall meet the following performance criteria: Amplitude response of 35 Hz to 150 Hz +/- 5 dB, 200W RMS power handling, 98 dB sensitivity at one meter with one watt applied. Coverage pattern shall be omnidirectional. Dimensions shall be 33.5" (851 mm) high, 26.75" (679 mm) wide, 18" (457 mm) deep, and weigh 113 lbs. (51.3 kg).

LIMITED WARRANTY

Community CSX-S2 Loudspeakers are guaranteed to be free from defects in materials and workmanship from the original date of sale for a period of ten years in the USA and a period of five years worldwide. Since the warranty applies to the product, the remainder of the warranty period will be automatically transferred to any subsequent owner.

Only failures caused by defects in materials and workmanship are covered, not failures caused by abuse, accident, modification, improper handling/installation, or repairs made without factory authorization or by other than an authorized Community Field Service Station. Products covered by this warranty will be repaired or replaced at the option of Community, without charge for materials or labor, provided all the terms of this warranty have been met.

This statement is a condensed version of the Community Product Warranty, intended for quick reference only. For complete warranty information, consult the product owners manual or call (610) 876-3400 for a copy.

PRELIMINARY SPECIFICATIONS