

## D SERIES

# D6

TWO-WAY 6.5-INCH HIGH OUTPUT  
CEILING MOUNT LOUDSPEAKER



### FEATURES

- High intelligibility with exceptional uniform coverage
- Consistent, wide dispersion up to 16 kHz
- True coaxial loudspeakers with HF compression drivers
- Tru-Phase™ high-frequency waveguide
- Patented Carbon Ring Cone Technology™
- Spring loaded Drop-Stop™ installation assistant tabs support the back can on the included rails and C-ring to simplify installation
- Uniquely designed tile bridge support rails and snap-on C-ring support plates prevent sag
- Twist-Assist™ loudspeaker face retainer tabs for fast and easy installation
- ¾-inch and 1-inch knock-outs on the sides of the back can
- External loop-through Euroblock connectors
- Rear cover with integrated cable clamp (strain relief) and optional conduit knockout
- Selectable 8 ohm or 70V/100V operation
- Available in white or black finish
- Five year warranty

### APPLICATIONS

- Convention centers, exhibit halls
- Corporate training rooms, ballrooms
- Athletic venues, sports facilities, health clubs
- Houses of worship
- Malls, airports
- Nightclubs, bars, restaurants

Available in standard white or black finish, the powerful and versatile D SERIES **D6** provides high quality paging and musical performance suitable for retail environments, restaurants, resorts, and numerous other applications where the importance of sonic quality cannot be ignored. Particularly effective when supported by the D10SUB, a D6 system is capable of meeting demanding needs at a cost usually associated with much smaller loudspeakers.

Uniform voicing means that the D6 can be combined with both smaller and larger models from the D SERIES family without compromising consistency from zone to zone. The genuine coaxial design uses separate magnets for the LF and HF drivers for reduced distortion and industry-leading sensitivity, thereby permitting 3 dB to 6 dB greater output level while requiring half the amplification power of competing products.

The proprietary **Tru-Phase™** waveguide and perfectly centered driver produce a consistently wide conical polar response up to 16 kHz. Community's patented **Carbon Ring Cone Technology™** increases the effective cone area to further reduce distortion while reinforcing the cone for improved durability.

Exclusive **Drop-Stop™** and **Twist-Assist™** tabs allow single-handed placement to speed installation and reduce labor time. Drop-Stop's spring-loaded legs support the back can on the included tile rails and snap-on C-ring, so that the installer no longer needs to hold the can against the tile while tightening the clamps. Twist-Assist performs a similar function for the baffle assembly: when the loudspeaker back cans are pre-installed into a conduit system for termination at a later date, a simple twist of the baffle into the back can brings the Twist-Assist clips together, supporting the baffle assembly while the installer fastens the screws.

The front-face wattage selector switch enables quick adjustment of 70V/100V tap levels. A variety of installation accessories are available to accommodate different ceiling materials.

Exceptionally Even Coverage | Stunning Sound Quality | Rapid Installation



# D SERIES

# D6

## TWO-WAY 6.5-INCH HIGH OUTPUT CEILING MOUNT LOUDSPEAKER



Ceiling Mount

Surface Mount

Pendant Mount

## SPECIFICATIONS

<b>Loudspeaker Type:</b>	Two-way, full-range, coaxial ceiling loudspeaker, 8 ohm or 70V/100V operation	
<b>Operating Range:</b>	65 Hz - 22 kHz	
<b>Frequency Response:</b>	80 Hz - 20 kHz (±5 dB)	
<b>Max Input Ratings (8 ohm):</b>	100W continuous, 250W program 28 volts RMS, 63 volts momentary peak	
<b>Transformer Taps—70V:</b>	60W, 30W, 15W, 7.5W and low impedance	
<b>100V:</b>	60W, 30W, 15W	
<b>Distortion—10% Full Power:</b>	2nd Harmonic	3rd Harmonic
500 Hz	1.74%	1.19%
2 kHz	1.18%	0.35%
8 kHz	0.77%	0.04%
<b>1% Full Power:</b>	2nd Harmonic	3rd Harmonic
500 Hz	0.53%	0.86%
2 kHz	0.38%	0.49%
8 kHz	0.48%	0.03%
<b>Sensitivity (1W/1m):</b>	94 dB SPL (125 Hz to 12.5 kHz 1/3 octave bands) 92 dB SPL (250 Hz to 4 kHz speech range)	
<b>Maximum Output:</b>	114 dB SPL / 120 dB SPL (peak 8 ohm)	
<b>Nominal Impedance:</b>	8 ohms	
<b>Minimum Impedance:</b>	6.9 ohms @ 210 Hz	
<b>Nominal Coverage:</b>	115° conical (1 kHz to 6 kHz) 125° conical (500 Hz to 6 kHz)	
<b>Axial Q / DI:</b>	4.7 / 6.7, 500 Hz to 6 kHz	
<b>Crossover Frequency:</b>	1.2 kHz	
<b>Recommended Signal Processing:</b>	65 Hz high pass filter	
<b>Drivers:</b>	LF 1 x 6.5-inch HF 1 x 1-inch exit compression driver	
<b>Driver Protection:</b>	Self-resetting solid state circuit breaker	
<b>Input Connection:</b>	4-position Euroblock connector	
<b>Controls:</b>	Front-face wattage / low impedance selector switch	
<b>Enclosure:</b>	Corrosion-resistant zinc plated steel	
<b>Mounting/Rigging Provisions:</b>	4 steel mounting clamps with 3-inch grip range	
<b>Grille:</b>	Powder coated steel with safety line, white or black finish, paintable	
<b>Baffle:</b>	Reflex loaded UL 94V-0 rated ABS	
<b>Safety Features:</b>	4 x safety hang points	
<b>Safety Agency Ratings:</b>	ETL listed to comply with UL1480, UL2043 and CSA60065. Suitable for use in air handling spaces per NFPA 70 and NFPA 90.	
<b>Required Accessories:</b>	Electronic high pass filter	
<b>Supplied Accessories:</b>	C-Ring supporting plate, tile support bridge rails, grille, paint mask, cut-out template, flat screwdriver	
<b>Optional Accessories:</b>	<b>D6-CATR</b> Can Adapter Ring / Trim Ring (white) <b>D6-CATR-B</b> Can Adapter Ring / Trim Ring (black) <b>D6-NCB</b> New Construction Bracket <b>D-RAIL48-PR</b> Pair of 48" Channel Rails	
<b>Dimensions—Width:</b>	11.24 inches (285.5 mm) bezel diameter	
<b>Depth:</b>	6.788 inches (172.4 mm) can depth	
<b>Cutout Diameter:</b>	10.25 inches (260 mm)	
<b>Weight:</b>	11.1 lbs (5 kg)	

### NOTES:

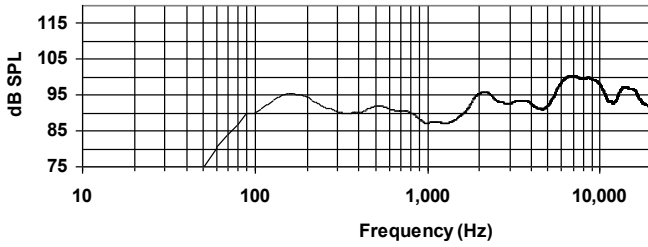
1. Sensitivity: Half space pink noise measurement at 6 ft (1.8 m) at 20% power; extrapolated to 1 meter and an input of 2.83 volts RMS.
2. Watts: All wattage figures are calculated using the rated nominal impedance.
3. Frequency response and sensitivity are half-space measurements.

# D SERIES

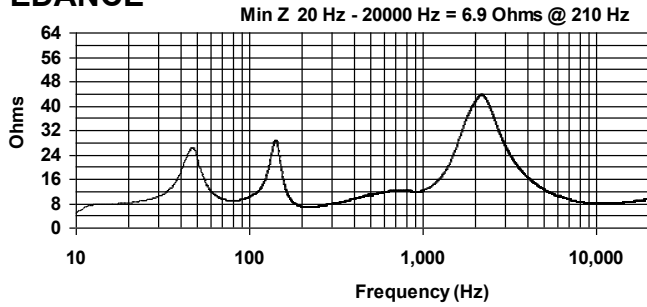
# D6

TWO-WAY 6.5-INCH HIGH OUTPUT  
CEILING MOUNT LOUDSPEAKER

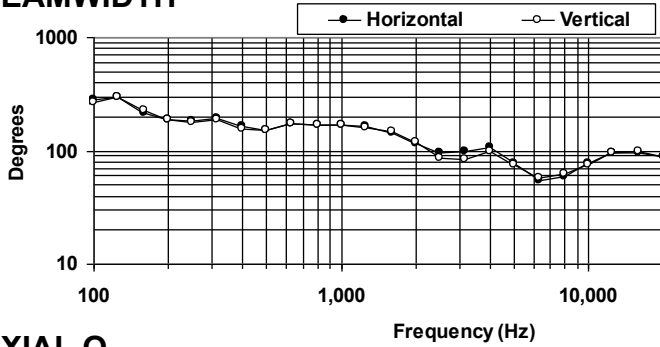
## FREQUENCY RESPONSE



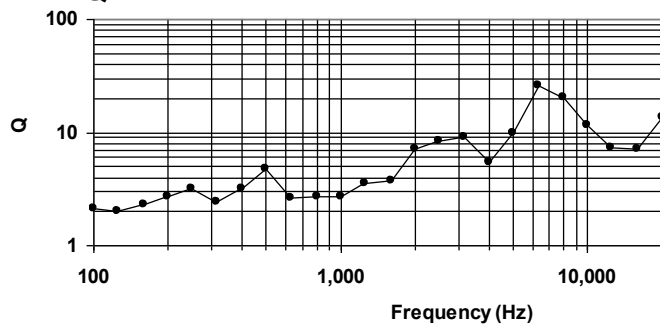
## IMPEDANCE



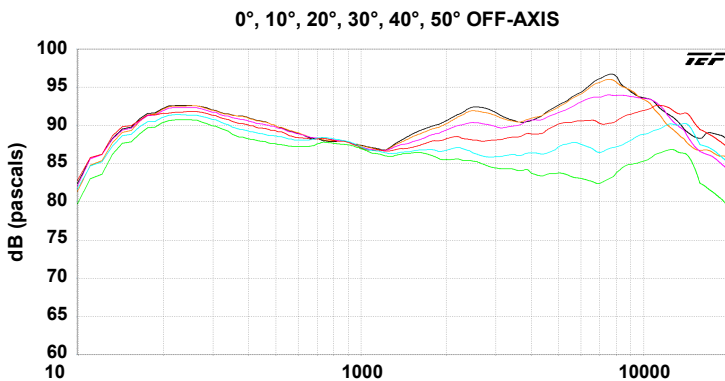
## BEAMWIDTH



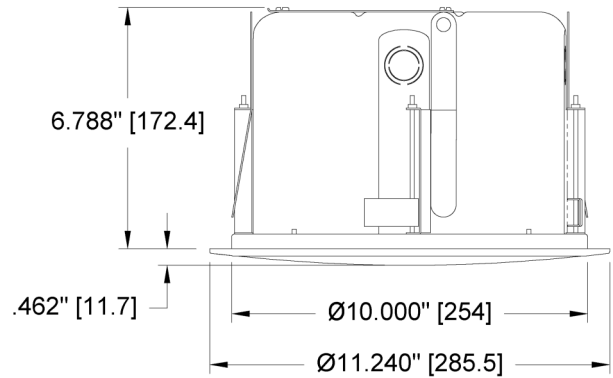
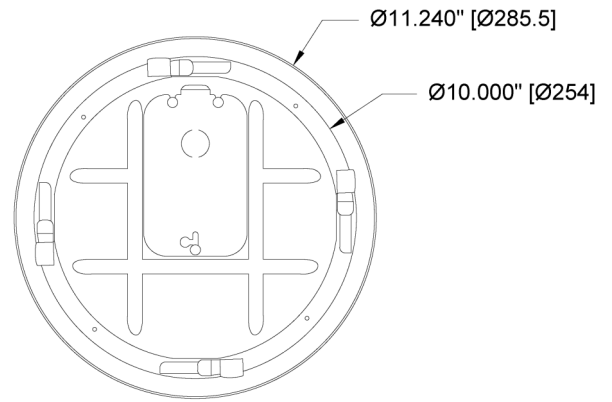
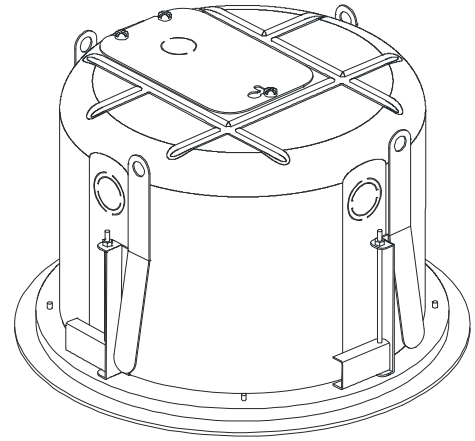
## AXIAL Q



## DISPERSION DEVIATION



## DIMENSIONAL DRAWINGS

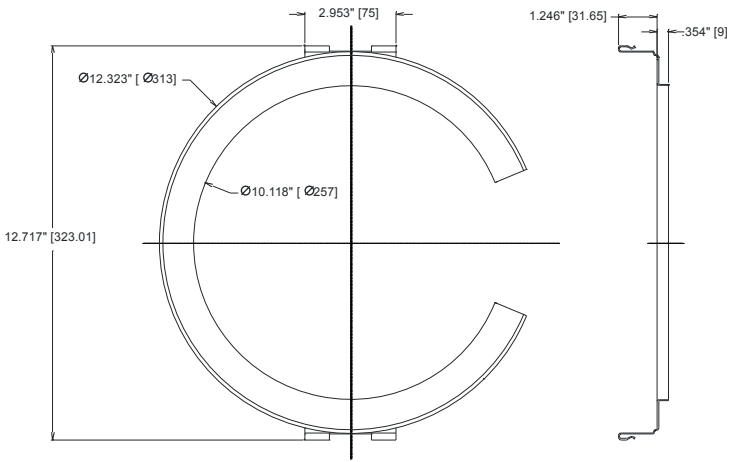


# D SERIES

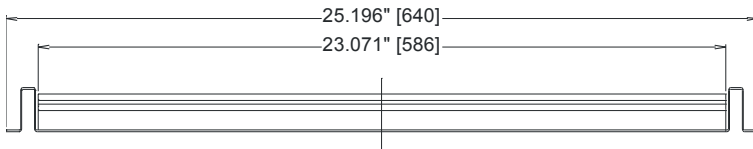
# D6

TWO-WAY 6.5-INCH HIGH OUTPUT  
CEILING MOUNT LOUDSPEAKER

## INCLUDED ACCESSORIES



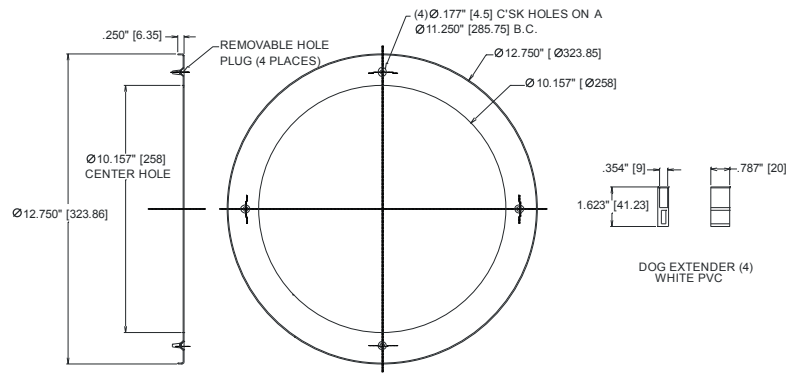
**C-RING**



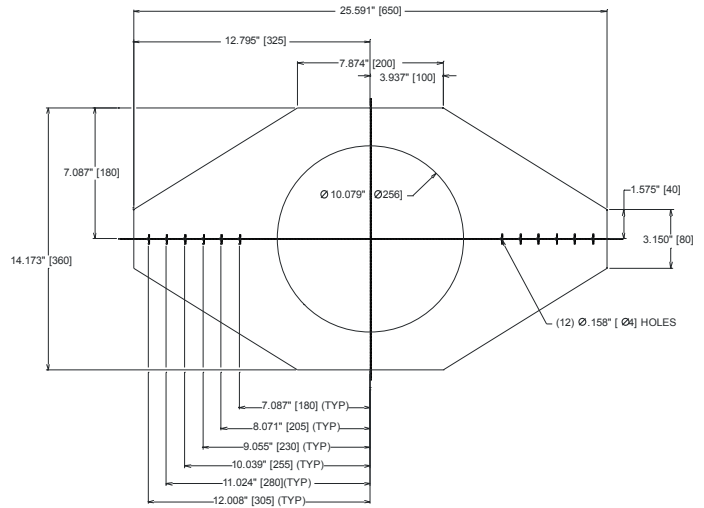
**TILE BRIDGE RAILS**



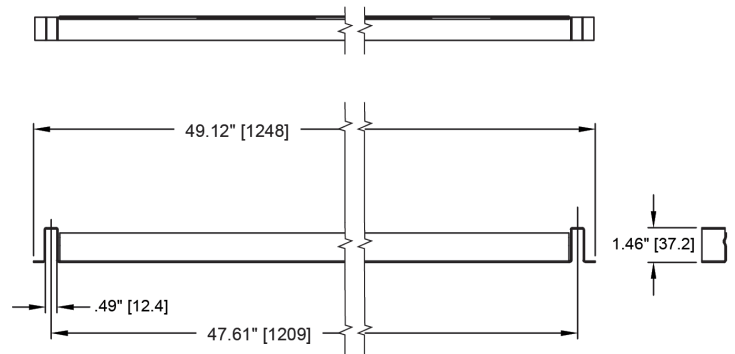
## OPTIONAL ACCESSORIES



**CAN ADAPTER / TRIM RING**



**NEW CONSTRUCTION BRACKET**



**48" CHANNEL RAILS (PAIR)**



## ARCHITECTURAL SPECIFICATIONS

The loudspeaker system shall be a two-way, full-range ceiling mount system with a 6.5-inch low frequency transducer with patented Carbon Ring Cone Technology™ and a coaxially mounted 1-inch exit high frequency compression driver. The drivers shall be connected to an integral crossover with a crossover frequency of 1.2 kHz, with a self-resetting solid state circuit breaker for driver protection. The paintable loudspeaker baffle shall be constructed of UL 94V-0 rated ABS material and include Twist-Assist™ face retainer tabs for easy insertion into the back cans. A paintable steel grille with a durable white or black powder coat finish shall be included.

The back can provided with the ceiling loudspeaker system shall be constructed of corrosion-resistant zinc plated steel featuring spring loaded Drop-Stop™ installation assistant tabs. The back can shall include a recessed termination box with a removable locking connector with screw terminals for secure wire termination with "loop through" ability. Strain relief will be provided by a clamping mechanism for use with plenum rated cable or conduit.

The system shall have an amplitude response of 80 Hz to 20 kHz (+/- 5dB) and a low impedance (8 ohm) input capability of 28V RMS. The sensitivity at 1W/1m shall be 94 dB (125 Hz to 12.5 kHz, 1/3 octave bands). The loudspeaker system shall have a conical coverage pattern of 125 degrees from 500 Hz to 6 kHz. The nominal system impedance shall be 8 ohms (in low impedance setting).

The system shall be equipped with a 60W high performance autoformer for use in 70.7V or 100V distributed audio systems, with 60W, 30W, 15W and 7.5W taps available in 70.7V distributed systems (60W, 30W and 15W taps available in 100V distributed systems). An easily accessible front-face tap selector switch located on the front baffle, which is concealed by the supplied removable grille, shall be available for selecting autoformer and low impedance settings.

A snap-on C-Ring supporting plate and two tile support bridge rails shall be included. The loudspeaker system shall have a bezel diameter of 11.24 inches (285.5 mm), a can depth of 6.788 inches (172.4 mm) and weigh 11.1 lbs (5 kg). There shall be available an optional Can Adapter/Trim Ring for retrofit installations of the loudspeaker system into an existing larger industry back can or into an existing but oversized ceiling hole up to 11 inches (279 mm) in diameter, and an optional New Construction Bracket for installing the loudspeaker system in new construction before drywall or plaster is put into place. An optional pair of 48" (1219mm) channel rails shall also be available to mount the loudspeaker in larger ceiling grids.

The system shall be ETL listed to comply with UL1480, UL2043 and CSA60065 and suitable for use in air handling spaces per NFPA70 and NFPA90.