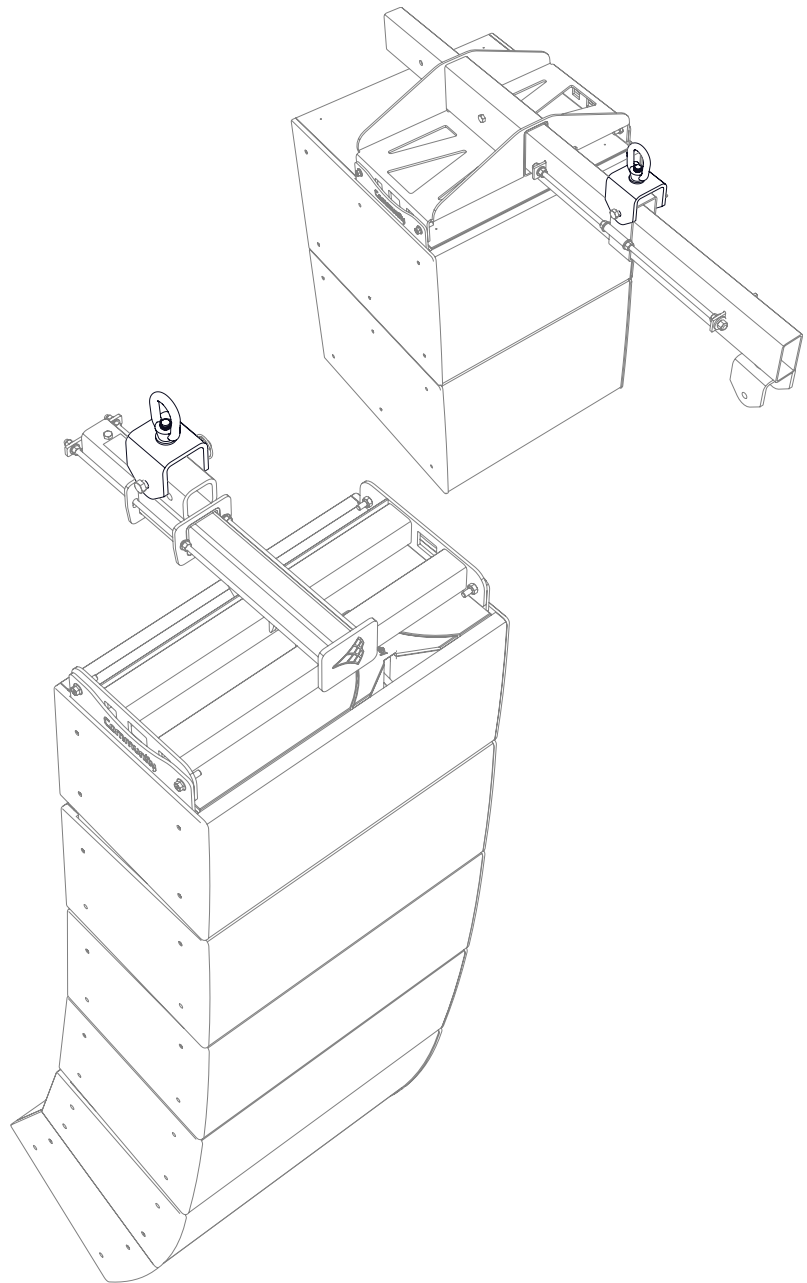




# I SERIES

PY1-EN750-1550

for Indoor  
IV6 Modular Vertical Arrays



Lift Point for IV6-GP-AF and IV6-SB-AF

The IV6 Rigging Frames, Accessories and Safety Guide (a complete set of instructions including all of the IV6 indoor rigging frames, accessories and information) is available on the Community website - [communitypro.com](http://communitypro.com).

**Community Professional Loudspeakers**  
333 East Fifth Street, Chester, PA 19013-4511 USA  
Phone (610) 876-3400 • Fax (610) 874-0190  
[communitypro.com](http://communitypro.com) • [info@communitypro.com](mailto:info@communitypro.com)

**IMPORTANT:** *The Instructions, and illustrations in this manual are to be used with INDOOR IV6 cabinets/models only. The IV6-WR loudspeakers differ in width and mounting points and will NOT fit these array frames. Contact Community for information regarding mounting options for WR (outdoor) IV6 loudspeakers.*

## IMPORTANT SAFETY INSTRUCTIONS

Always follow these basic safety precautions when using or installing I SERIES loudspeakers and accessories:

- Read these instructions prior to assembly, and keep for reference.
- Heed all warnings.
- Follow all instructions, particularly those pertaining to rigging, mounting, hanging and electrical connections.
- Do not use this apparatus near water (indoor models only).
- Clean only with dry cloth.
- Do not block any ventilation openings. Install in accordance with the manufacturer's instruction.
- Do not install near any heat sources such as radiators, heat registers, stoves, or other apparatus (including amplifiers) that produce heat.
- Only use attachments and accessories that are specified and approved by the manufacturer.

Refer all servicing to qualified service personnel. Servicing is required when the apparatus has been damaged in any way, does not operate normally, or has been dropped.

The terms caution, warning, and danger may be used in this manual to alert the reader to important safety considerations. If you have any questions or do not understand the meaning of these terms, do not proceed with installation. Contact your local dealer, distributor, or call Community directly for assistance. These terms are defined as:



**CAUTION:** describes an operating condition or user action that may expose the equipment or user to potential damage or danger.



**WARNING:** describes an operating condition or user action that will likely cause damage to the equipment or injury to the user or to others in the vicinity.



**DANGER:** describes an operating condition or user action that will immediately damage the equipment and/or be extremely dangerous or life threatening to the user or to others in the vicinity.

## RIGGING and ELECTRICAL SAFETY



**IMPORTANT:** IV6 loudspeakers are designed and intended to be mounted to differing indoor building surfaces using a variety of rigging hardware, means and methods. Installation of loudspeakers should only be performed by trained and qualified personnel. It is strongly recommended that a licensed and certified professional structural engineer approve the mounting plan. Severe injury and/or loss of life, and property damage may occur if these products are improperly installed.



**DANGER:** All rigging fittings must be fully tightened and secured. Any missing fasteners will compromise the structural integrity of the enclosure and constitute a safety hazard. Do not suspend any loudspeakers unless all fasteners are securely in place!



**DANGER:** It is possible to experience severe electrical shock from a power amplifier. Always make sure that all power amplifiers are in the "OFF" position and unplugged from an AC Mains supply before performing electrical work.



**CAUTION:** Installation of I SERIES loudspeakers should only be performed by trained and qualified personnel. It is strongly recommended that a licensed and certified professional structural engineer approve the mounting. Severe injury and/or loss of life may occur if this product is improperly installed.

## UNPACKING / INSPECTION

Community I SERIES rigging accessories are engineered and manufactured to be rugged and they are carefully packed in sturdy cartons. However, it is recommended to thoroughly inspect each unit after it has been removed from the packaging, as damage could occur during shipping.

Please note that once the shipment has left your dealer or the Community factory, the responsibility for damage is always borne by the freight company. If damage has occurred during shipping, you must file a claim directly with the freight company. It's very important to contact the freight company as soon as possible after receiving your shipment, as most freight companies have a short time limit within which they will investigate claims. Make sure to save the carton and the packing material, as most claims will be denied if these materials are not retained. Your Community dealer and the factory will try to help in any way they can, but it is the responsibility of the party receiving the shipment to file the damage claim.

It is always a good idea to retain the carton and packing materials, if possible, in the event that the unit may need to be returned to your dealer or distributor for repair in the future.



**WARNING:** I SERIES rigging fittings are rated at Working Load Limits (WLL) with a 10:1

safety margin. All mounting provisions on the IV6 cabinets meet or exceed the 10:1 safety margin to support the cabinet when used with the specified mounting brackets, either from Community or designated 3rd party vendors.

Disregarding and/or exceeding the safe working load limits could result in injury or death!

### TOOLS NEEDED FOR ASSEMBLY:

- Metric socket and ratchet set
- Metric wrench set

## SYSTEM DESIGN

Community encourages all system designers that are interested in incorporating IV6 modular arrays in their venue to use EASE® Focus 3 (EF3) to model the array. There is a customized version of EF3 that is available from the Community website that includes Community IV6 GLL data files. In partnership with Community, AFMG (the maker of EASE software) has developed special modules that are "Community-exclusive".

The custom Rigging Safety Calculator (RiSC) module (found under the "Loads" tab) automatically populates and updates in real-time as an array is built and aimed. Refer to the "IV6 System Design and Installation Manual" for instructions and explanations about system design with EASE® Focus 3 and array assembly.

### ACCEPTABLE MOUNTING POINT LOADING

Use the RiSC module in EASE® Focus 3 to assure mounting point system Safe Working Load (SWL) and required Safety Factor are not exceeded. The RiSC module is described on pages 4-5. The system should be modeled in EF3 prior to ordering, and the system design report generated should be utilized when installing / assembling the array(s). The software, and system information is available on the Community website. Use the QR code on the upper right corner of this page for a link to the IV6 downloads page.

In addition, for sub-behind applications, use the IV6 Sub Behind Hang Point Calculator" to assure proper deployment of the IV6-SB-AF bracket. It is available from the IV6 "Downloads" section on the Community website.

## INSTALLATION AND ASSEMBLY TIPS

- Test all cabinets before hanging
- Arrange cabinets in the order that they will hang, and loosely attach appropriate splay brackets to the top of each cabinet
- Preset attenuation settings per the EASE® Focus 3 model on each cabinet
- If using the IV6-SB-AF, adjust the carriage on the array frame to the suggested pin setting before attaching the loudspeakers
- Orient cabinets so the horns align along the length of the array - this also aligns the input panels for easy wiring
- Leave splay bracket connections slightly loose until all cabinet connections are made, then tighten evenly



**IMPORTANT:** The hex head Grade 10.9 rigging bolts that are used to secure the splay brackets must also fill any unused holes (at the bottom of a flown array or at the top and bottom of a ground stack) to seal the enclosure from air leaks. If those threaded holes are not sealed, air leaks will occur in the enclosure that will compromise the low-frequency performance with distortion, reduced output, and premature driver failure.



Scan or click to go to the IV6 downloads section on the [Community website](#) for the latest version of this manual.

### SAFETY CABLE

The safety cable and associated hardware are not included. Consult all applicable codes for your application. Confer with a structural engineer for the appropriate cable/hardware for the load, application and locale. If required, the safety cable must be secured to a suitable load-bearing point separate from the array mounting point, with as little slack as possible, so as not to develop undue kinetic force if the primary array mount were to fail.

#### Light Array Frame (IV6-LAF-PBB)

When required, a secondary safety cable can be attached to an unused hole(s) on the LAF.

#### GlidePoint™ Array Frame (IV6-GP-AF)

A secondary safety cable mounting point is available from [PolarFocus](#).

Part number: RLP-X2-1800

#### Sub Behind Array Frame (IV6-SB-AF)

Contact PolarFocus, for a quote for a custom secondary attachment point(s) required for your particular application.

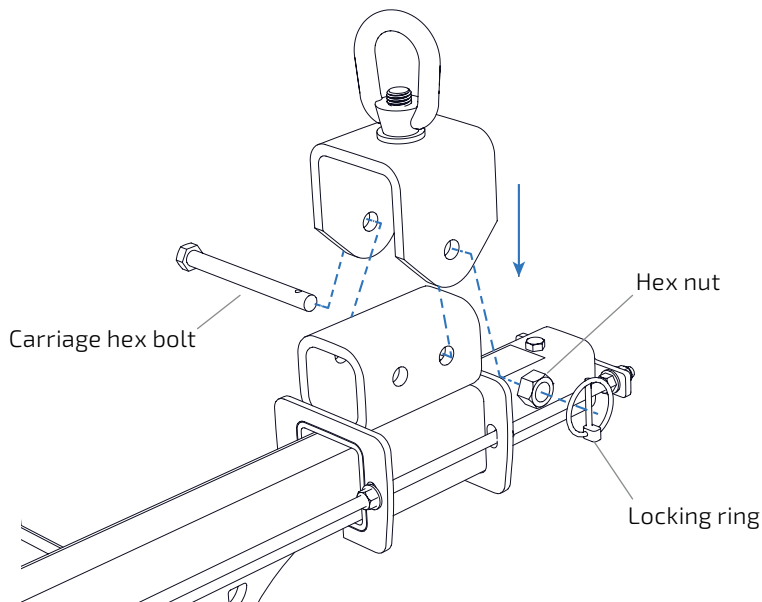
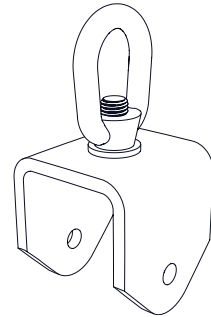
## LIFT POINT FOR ARRAY FRAMES

Determine the lift point, and attach to the carriage on either the IV6-GP-AF or IV6-SB-AF with the carriage hex bolt, nut and locking ring included with the array frame. Assembly illustrations (shown below) are also in IV6-GP-AF and IV6-SB-AF assembly instructions.

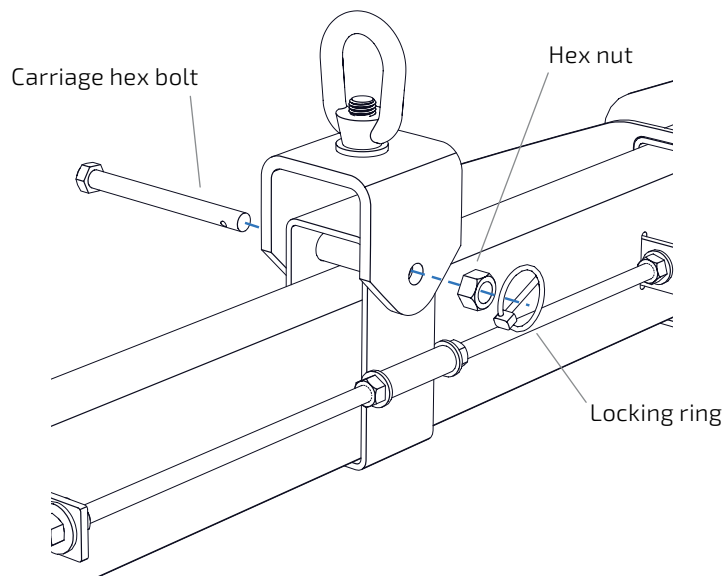
PY1-EN750-1550

**Kit Weight:** 6 lbs (2.7kg)

**Working Load Limit:** 1550 lbs (703.1 kg)  
(10:1 safety factor)



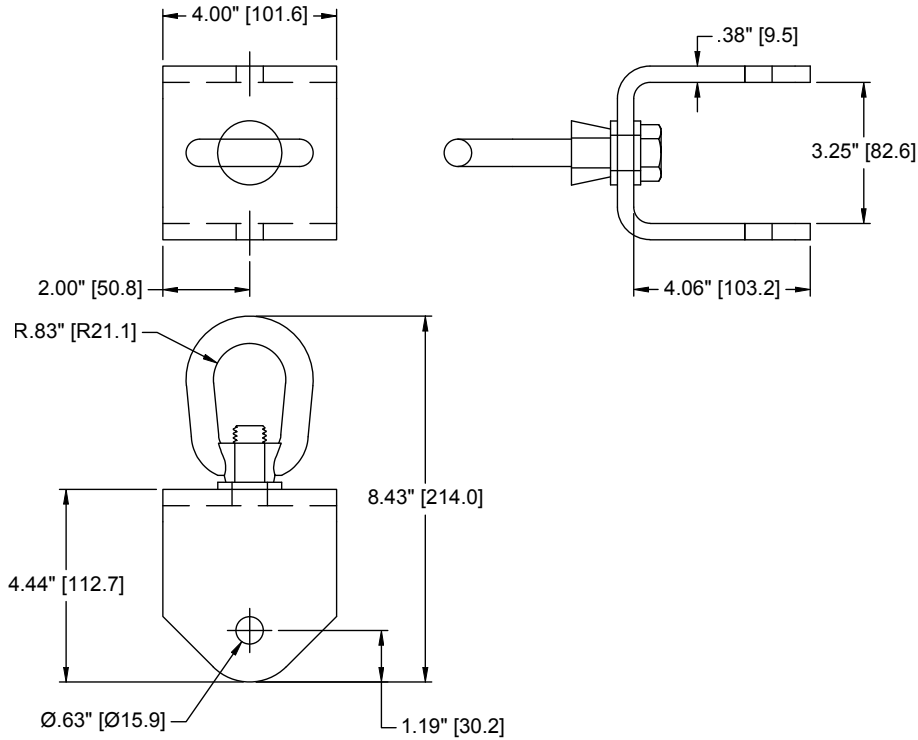
**PY1 to GP-AF.** Attach to the lift point specified by the pin# position on IV6-GP-AF label.



**PY1 to SB-AF.** Attach to the lift point on carriage of IV6-SB-AF.

# TECHNICAL DRAWING

PY1-EN750-1550



# WEIGHTS

<b>LOUDSPEAKERS</b> <i>(includes 1 pair splay brackets)</i>	<b>Indoor [lbs (kg)]</b>	<b>Outdoor / WR [lbs (kg)]</b>
IV6-1122/05	77.3 (35.1)	62.5 (28.3)
IV6-1122/15	73.5 (33.3)	59.1 (26.8)
IV6-118S	132.9 (60.3)	99.3 (45.0)
<b>ACCESSORIES</b> <i>(available from Community)</i>	<b>Weight Indoor [lbs (kg)]</b>	<b>Working Load Limit [lbs (kg)]</b>
IV6-GP-AF	76 lbs (34.5kg)	1300 lbs (589.7 kg)
IV6-LAF-PBB	23 lbs (10.4kg)	850 lbs (385.6 kg)
IV6-SB-AF	108.0 (49.0)	2000 lbs (907.2 kg)
IV6-LAU	13.5 lbs (6.1 kg)	500 lbs (226.8 kg)
PY1-EN750-1550	6 lbs (2.7 kg)	1550 lbs (703.1 kg)

**Note:** Every effort has been made to insure that the information contained in this manual was complete and accurate at the time of printing. However, due to ongoing technical advances, changes or modifications may have occurred that are not covered in this manual. The latest version is available at [communitypro.com](http://communitypro.com).

**Caution:** Installation of loudspeakers should only be performed by trained and qualified personnel. It is strongly recommended that a licensed and certified professional structural engineer approve the mounting design.