



RS660

THREE-WAY ELECTRONICALLY CONTROLLED LOUDSPEAKER SYSTEM

APPLICATIONS:

- Concerts
- Performing Arts
- Club
- Voice Announcement
- Houses of Worship
- Sports Facilities

FEATURES:

- Arrayable design
- High output, low distortion sound quality
- PowerSense™ dynamic driver protection
- High power capacity
- High sensitivity

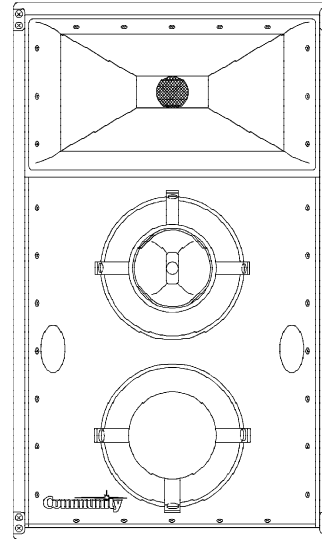
DESCRIPTION

The RS660™ is a high output, high-sensitivity, horn-loaded, three-way, full-range loudspeaker system of wavefront-coherent design. The components of the RS660 system are smoothly matched for seamless full-range performance. The low frequency section of the RS660 utilizes two 10" triple-spider low frequency drivers on a dual-throated exponential bass horn. The midrange section of the RS660 consists of an M200™ 2" exit compression driver mounted on a midrange Pattern Control horn. The low and mid-frequency horns of the RS660 loudspeaker system are molded in one piece and comprise the fiberglass faceplate of the trapezoidal cabinet. The RS660's high frequency section, which is mounted co-axially to the upper LF driver, utilizes a single VHF100 (patent pending) compression driver coupled to a high density urethane foam high frequency Pattern Control horn.

The RS660 system contains with a unique passive three-way frequency dividing network which provides optimal filtering and slope characteristics as well as maintaining signal alignment throughout the system's bandpass. PowerSense Dynamic Driver Protection circuitry provides continuous monitoring of the power level into the loudspeaker system. The RS660's passive crossover design enables exceptional performance with the economy of single amplifier channel operation.

The electronic system controller acts as an electronic crossover to an optional VBS subwoofer. It monitors both the RS660 system and the subwoofer through sense lines from the power amplifier outputs, providing both dynamic speaker protection and dynamic equalization to the system.

The RS660 enclosure is made of extensively braced, black-painted 13-ply void free Baltic birch plywood. Integral steel edging connected to internal steel bracing allows suspension of the RS system. Consult the Community publication, "Rigging Information for Flying Systems of Community RS and VBS Loudspeakers" for further information.



SPECIFICATIONS

Type:

Three-way Electronically Controlled Loudspeaker System

Frequency Response: 75 Hz to 18 kHz

Power Handling:

300W RMS, Continuous Pink Noise
750W Program

Sensitivity (1 Watt / 1 Meter):

108.4 dB SPL (400 Hz to 4 kHz)
103.0 dB SPL (75 Hz to 18 kHz)

Nominal Dispersion: 65° Horizontal, 50° Vertical

Nominal Impedance: 8 ohms

Crossover Frequency(s): 650 Hz, 3 kHz

Components:

Two Ferrofluid-cooled 10" LF Drivers
One 2" exit M200 MF Driver
One 1" exit VHF100 HF Driver

Speaker Protection: PowerSense DDP

Input Connectors:

2 Neutrik Speakon
1 dual banana

Enclosure Material and Finish:

13-ply void free black painted Baltic birch plywood
Fiberglass exterior optional.

Trapezoid Pitch: 22.5°

Dimensions:

Height: 33.75 inches (857.35 mm)
Width: 20.25 inches (514.35 mm)
Depth: 20.25 inches (514.35 mm)

Weight: 121 lbs. (55 kg.)

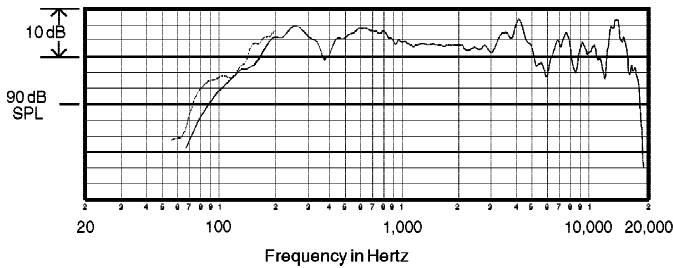
Shipping Weight: 137 lbs. (62.2 kg.)



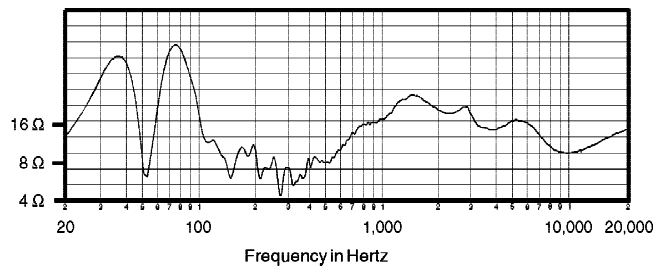
RS660

THREE-WAY ELECTRONICALLY CONTROLLED LOUDSPEAKER SYSTEM

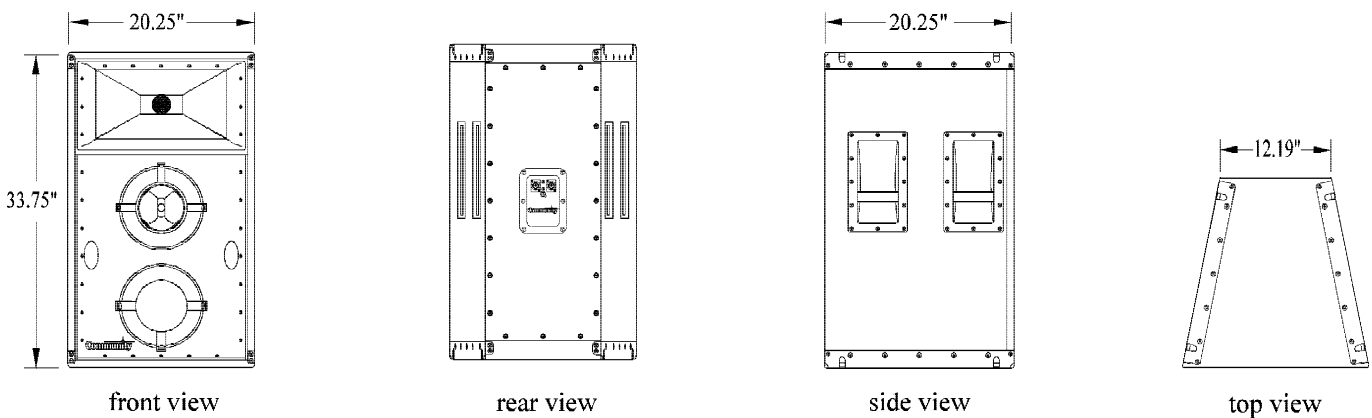
FREQUENCY RESPONSE



IMPEDANCE



DIMENSIONS



ARCHITECTS' AND ENGINEERS' SPECIFICATIONS

The loudspeaker system shall be a horn-loaded, three-way, bass reflex design with two 10" Ferrofluid-cooled woofers coupled to a dual-throated exponential horn, one 2" exit M200 midrange driver with a voice coil diameter of 2.15" coupled to a Pattern Control horn and one 1" exit VHF100 (patent pending) high frequency driver coupled to a Pattern Control horn. The low and mid frequency horns shall be constructed in one piece of black fiberglass and shall comprise the faceplate of the cabinet. The high frequency horn shall be constructed of black high density urethane foam and shall be mounted coaxially within the low frequency horn. All components shall be connected to an integral crossover / protector. The crossover / protector shall be a three-way, 12 dB per octave design with a high pass at 3000 Hz to the high frequency driver, a 3000 Hz to 650 Hz bandpass to the midrange driver, and a low pass at 650 Hz to the woofers. The crossover shall utilize high quality 250V film capacitors and high positive current coefficient resistors (HPCCR's) for component protection. The loudspeaker enclosure shall have an internal volume of 3.46 cubic feet (98 L) and be constructed of 13-ply void free Baltic birch plywood available in black paint or hand laminated fiberglass. The system shall have four steel edges with integral suspension points and four steel handles. The system shall meet the following performance criteria: Amplitude response of 75 Hz to 18 kHz, 300 Watts RMS power handling, 103.0 dB SPL sensitivity at 1 meter with 1 Watt applied. Coverage pattern shall be 65° x 50° (H x V). Dimensions shall be 33.75 inches (857.25 mm) high, 20.25 inches (514.35 mm) wide, 20.25" (514.35 mm) deep and weigh 121 lbs. (55 kg.). The system impedance shall be 8 ohms nominal.

LIMITED WARRANTY

Community RS/VBS loudspeaker systems are guaranteed to be free from defects in materials and workmanship for a period of five years from the date of sale to the original purchaser. This warranty applies to the product, therefore the remainder of the warranty period will be automatically transferred to any subsequent owner. This warranty does not apply to products which have been subjected to abuse, accident, modification, improper handling/installation, or repairs made without factory authorization or by other than an authorized Community Field Service Station. Items or products covered by this warranty will be repaired or replaced, at the option of Community, without charge for materials or labor, provided products are returned prepaid for inspection to the Community factory in Chester, PA or to a Community Authorized Field Service Station.

Specifications subject to change without notice.

RS660 Page 2 of 2

COMMUNITY PROFESSIONAL LOUDSPEAKERS

333 East Fifth Street Chester, PA 19013-4511 USA Phone (610) 876-3400 Fax (610) 874-0190

9509019L