



RSFB

THREE-WAY ELECTRONICALLY CONTROLLED LOUDSPEAKER SYSTEM

APPLICATIONS:

- Industrial A/V
- House of Worship
- Performing Arts
- Concert
- Club

FEATURES:

- PowerSense™ dynamic driver protection
- High power capacity
- High output, low distortion sound quality
- Integral flying hardware
- Bi-Amp or passive operation

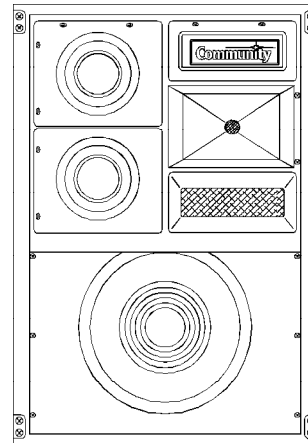
DESCRIPTION

The Community RSFB™ is a high output, high sensitivity, horn-loaded, three-way speaker system of wavefront-coherent design. The components of the RSFB system are mounted on a mechanically signal-aligned fiberglass molding and smoothly matched for seamless full-range performance. Frequency response of the RSFB is 50 Hz to 18 kHz. The low frequency section of the RSFB utilizes a single 12" dual-spider, Ferrofluid-cooled low frequency driver. The midrange section consists of two 6.5" Ferrofluid-cooled cones. The high frequency section utilizes a single VHF100 (patent pending) 1" compression driver.

The RSFB is engineered with a passive switchable (passive or bi-amp) three-way frequency dividing network which provides optimum filtering and slope characteristics as well as maintaining time alignment throughout the system's bandpass. A switch on the input panel simplifies bi-amping of the system. PowerSense Dynamic Driver Protection Circuitry provides continuous monitoring of the power level into the loudspeaker system.

The electronic system controller acts as an electronic crossover to the bass system, an equalizer, and a dynamic compressor, monitors the RS System via sense lines from the loudspeaker system's amplifier.

The RSFB is constructed of black-painted 13-ply void free Baltic Birch plywood. For applications requiring additional weather resistance, the RSFB is also available with a fiberglass exterior (choose RSFBFE). The RSFB has integral steel edge fittings with slots for cable or shackles for direct bolting to frames and a socket to facilitate stand mounting. It has two steel spring handles.



SPECIFICATIONS

Type:

Three-Way, Electronically Controlled Loudspeaker System

Frequency Response: 50 Hz To 18 kHz

Power Handling (passive mode):

200W RMS, Continuous Pink Noise
500W Program

Sensitivity (1 Watt / 1 Meter, passive mode):

102.4 dB SPL (400 Hz to 4 kHz)
99.1 dB SPL (50 Hz to 18 kHz)

Nominal Dispersion: 90° Horizontal, 50° Vertical

Nominal Impedance: 8 ohms

Crossover Frequency:

200 Hz, 1.8 kHz

Components:

One Ferrofluid-cooled 12" (304.8 mm) LF Driver
Two 6.5" (165 mm) Ferrofluid-cooled MF Driver
One 1" exit VHF100 HF Driver

Speaker Protection: PowerSense DDP

Input Connectors:

2 Neutrik Speakon
1 dual banana

Enclosure Material and Finish:

13-ply void free black painted Baltic birch plywood.
Fiberglass exterior optional.

Trapezoid Pitch: 22.5°

Dimensions:

Height: 26.125 inches (663.58 mm)
Width: 18.125 inches (460.38 mm)
Depth: 14.25 inches (361.95 mm)

Weight: 86 lbs. (39 kg)

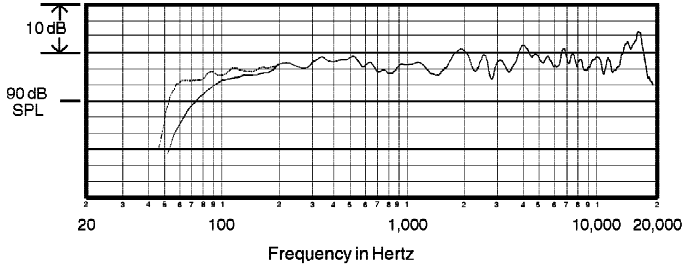
Shipping Weight: 98 lbs. (44.6 kg)



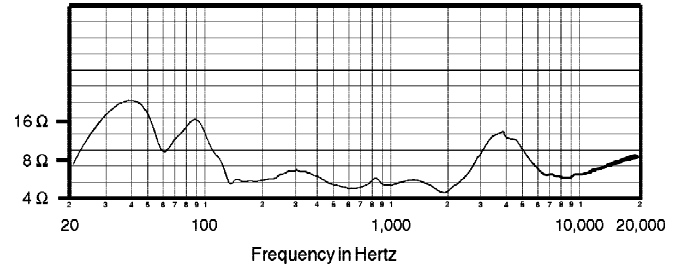
RSFB

THREE-WAY ELECTRONICALLY CONTROLLED LOUDSPEAKER SYSTEM

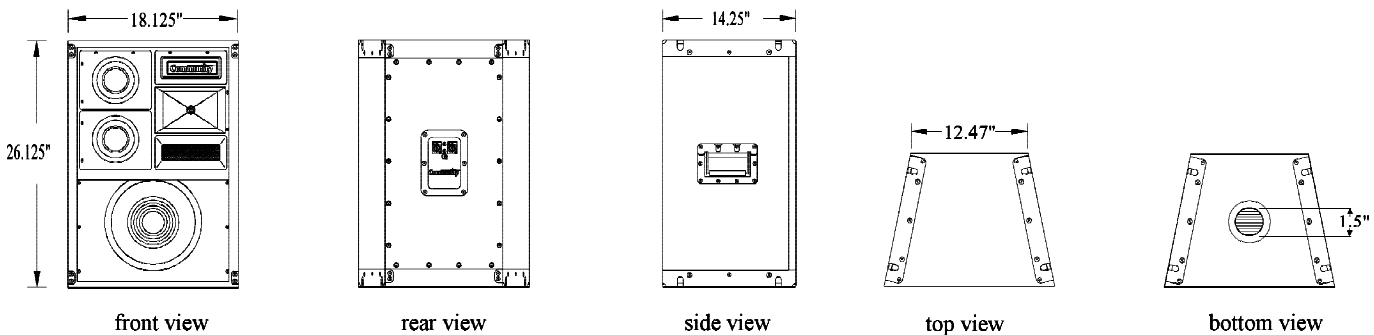
FREQUENCY RESPONSE



IMPEDANCE



DIMENSIONS



ARCHITECTS' AND ENGINEERS' SPECIFICATIONS

The loudspeaker system shall be of the horn loaded, three-way bass reflex design with one 12" Ferrofluid-cooled woofer in synchronous wave propagation with the dual 6.5" midrange drivers and one 1" exit VHF100 (patent pending) high frequency driver coupled to a Pattern Control horn. All components shall be mounted on a one piece hand-laminated fiberglass faceplate. The system shall be connected to an integral crossover/ protector with switch for active or passive operation. The crossover / protector shall be a three-way, 12 dB per octave design with a high pass at 1,800 Hertz to the high frequency driver, 1,800 to 200 Hertz band pass going to the midrange drivers, and a low pass at 200 Hertz to the woofer. The crossover shall utilize high quality 250V film capacitors and High Positive Current Coefficient Resistors (HPCCR) for component protection. The loudspeaker enclosure shall have an internal volume of 1.48 cubic feet (56.1 L) and be constructed of 13-ply void free Baltic Birch plywood, available in black paint or hand laminated fiberglass. The system shall have integral steel rigging hardware with internal top and bottom steel bracing and a bottom mounted stand socket. The enclosure shall have a sidewall pitch of 22.5°.

The system shall meet the following power and performance criteria under passive operation: Amplitude response of 50 Hz to 18 kHz, 200 Watts program handling, 99.1 dB-SPL sensitivity at 1 meter with 1 watt applied. Coverage pattern shall be 90° x 50° (H x V). Dimensions shall be 26.125 inches (663.58 mm) high, 18.125 inches (460.38 mm) wide, 14.25 inches (361.95 mm) deep, and weigh 86 lbs. (39 kg). The system impedance shall be 8 ohms nominal.

LIMITED WARRANTY

Community RS/VBS loudspeaker systems are guaranteed to be free from defects in materials and workmanship for a period of 5 years from the date of sale to the original purchaser. This warranty applies to the product, therefore the remainder of the warranty period will be automatically transferred to any subsequent owner. This warranty does not apply to products which have been subjected to abuse, accident, modification, improper handling/installation, or repairs made without factory authorization or by other than an authorized Community Field Service Station. Items or products covered by this warranty will be repaired or replaced, at the option of Community, without charge for materials or labor, provided products are returned prepaid for inspection to the Community factory in Chester, PA. or to a Community Authorized Field Service Station.