



Description

The VERIS 26 is a two-way, full-range loudspeaker system suitable for use in a wide variety of fixed installations.

This versatile model is ideal for distributed systems such as those found in cafes, restaurants, shopping centers and airports. With its powerful dual cone drivers, the VERIS 26 provides additional low frequency and mid-range output over that of its sister product, the VERIS 6.

When paired with a subwoofer such as the VERIS 210S, a VERIS 26 system will produce high-fidelity, broad spectrum sound that belies its modest size.

In addition to distributed systems, the VERIS 26 is an excellent choice for ancillary delay applications. When used to augment a FOH system in venues such as auditoria, theatres, and houses of worship, delay speakers can significantly even-out the difference in sound pressure level from the front of the room to the rear of the room. Units may be positioned for underbalcony fill, overbalcony fill, or simply placed towards the rear of the seating areas. By deploying VERIS 26 loudspeakers in such a manner, the system designer will have far greater control over relative levels and relative tonal response when commissioning and equalizing the installation.

The VERIS 26 may be mounted to a wall or ceiling surface with a yoke bracket (included), suspended from its M6 threaded rigging points, or installed using an OmniMount™ Series 30 mounting device.

Applications

- Restaurants
- Pubs
- Cafes
- Houses of Worship
- Shopping Malls
- Airports
- Delay Fill

Features

Internal DYNA-TECH™ Dynamic Driver Protection Circuitry

Black or White Finish Available

Ferrofluid Treated HF Driver for Improved Heat Dissipation

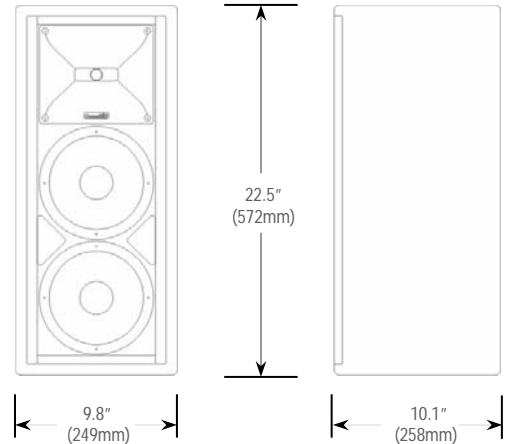
Non-Resonant, Non-Metallic HF Diaphragm for Reduced Distortion

Carbon Ring Cone Technology Provides 30% More Piston Area with Increased Excursion Capability

Terminal Strip and NL4 Compatible Connectors

VERIS 26

TWO-WAY FULL-RANGE LOUDSPEAKER SYSTEM



SYSTEM

Format: Two-way full-range, vented bass, trapezoidal, dual cone drivers

Operating Range: 70 Hz - 18 kHz

Frequency Response: 90 Hz - 10 kHz (± 3 dB)

Dispersion (-6 dB): 90° H x 70° V (in vertical position)

Crossover Frequency: 2 kHz

Maximum SPL @1m: 115 dB continuous / 122 dB peak

Sensitivity in SPL: 92 dB (125 Hz - 10 kHz, 1/3 octave)
(1W/1m, free space) 92 dB (250 Hz - 4 kHz, speech range)

Max Power Handling: 200W RMS (28.3V)
500W Program / 990W Peak

Impedance: Nominal 4Ω / Min. 4.6Ω at 230 Hz

Connectors: Terminal Strip and NL4 Compatible

TRANSDUCERS

Low Frequency: Dual 6" (152mm) 100W RMS
250W Program, 8Ω each driver

High Frequency: 3/4" (19mm) 50W RMS
125W Program, 8Ω

MECHANICAL

Enclosure: Trapezoidal (22.5° included angle)
11-ply cross-laminated birch

Finish: Black or white catalyzed polyester paint (specify at time of ordering)

Rigging Provisions: (9) M6 threaded rigging fittings¹
(4) M6 threaded fittings for OmniMount™ 30 bolt pattern; yoke bracket included

Grille: Powder coated steel, black or white

Dimensions: 22.5" (572mm) x 9.8" (249mm) x
H x W x D 10.1" (258mm)

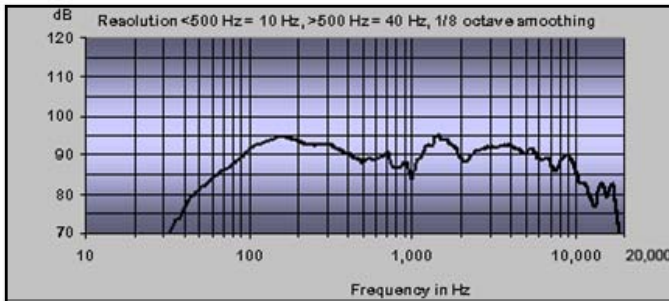
Net Weight: 22.5 lbs / 10.2 kg

¹Due to ongoing development, specifications are subject to change without notice.

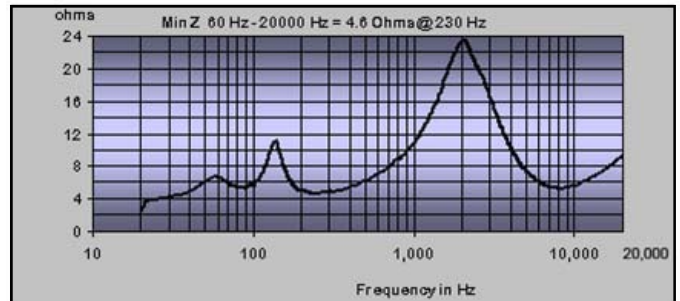
¹100 lbs / 45.4 kg per point in straight line, 10:1 safety factor.

VERIS 26

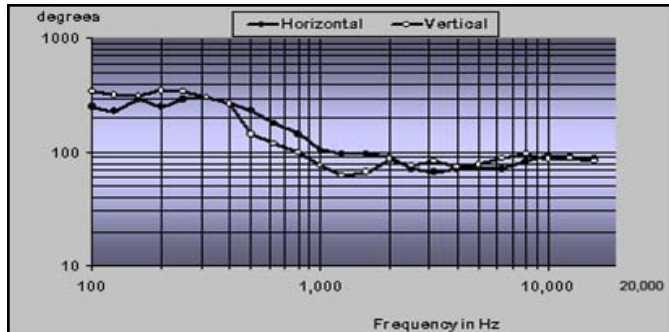
TWO-WAY FULL-RANGE LOUDSPEAKER SYSTEM



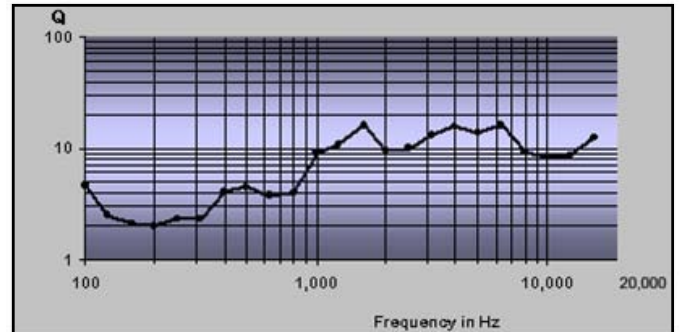
Amplitude versus Frequency (in free space)



Impedance versus Frequency



Directivity Index



Axial Q

Recommended Power: 420 - 600 WRMS at 4Ω

Recommended High-Pass Filter: 80 Hz*

*24 dB / octave or higher

Installation Accessories



VERIS Handle & Stand Socket

Attaches to Omni-Mount™ fasteners.



Tilting Bracket

Allows precise angling of a VERIS loudspeaker.



Ceiling Mount Kit

Derives a hang point from a ceiling surface.



Tilting Brackets

Multiple brackets may be used to position one loudspeaker below another.



Yoke Bracket

Provides 0°, 10°, & 20° inclination to wall surface.



Eyebolt Kits

Suspend VERIS enclosures safely and easily.

Community Professional Loudspeakers, 333 East Fifth Street, Chester, PA USA 19013-4511
TEL: 610-876-3400 · FAX: 610-874-0190 · www.communitypro.com