

## SPECIFICATIONS

**Loudspeaker Type:** Weather Resistant Subwoofer  
**Operating Range:** 50 Hz - 140 Hz

**Max Input Ratings:** 400W continuous, 1000W program  
40 volts RMS, 89 volts momentary peak

**Recommended Power Amplifier:**  
830W to 1200W @ 4 Ohms

**Sensitivity 1W/1m:** 98 dB SPL (40 Hz-160 Hz 1/3 octave bands)

**Maximum Output:** 124 dB SPL / 131 dB SPL (peak)

**Nominal Impedance:** 4 Ohms

**Min Impedance:** 3.1 Ohms @ 40 Hz

**Nominal -6 dB Beamwidth:** 360° H x 360° V

**Axial Q / Di:** 1 / 0, 35 Hz - 150 Hz

**Recommended Signal Processing:**  
125 Hz - 150 Hz crossover  
40 Hz high pass filter

**Drivers:** LF (2) 15" triple-spider, cast frame, Ferrofluid-cooled

**Driver Protection:** None

**Input Connection:** 12' (4m) #16 guage SJOW

**Controls:** None

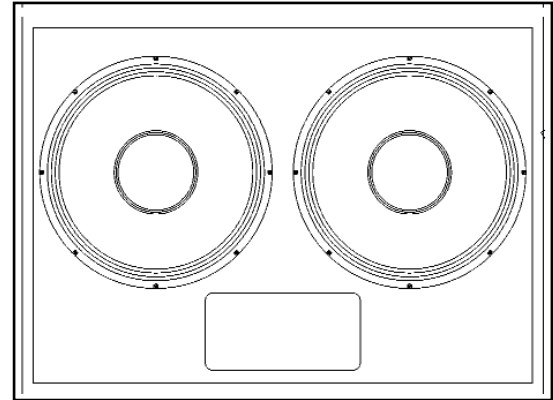
**Enclosure:** Multi-layer glass composite

**Mounting / Rigging Provisions:**  
(6) 1/2-13 threaded inserts

**Grille:** 3 Layer Weather-Stop™

**Required Accessories:**  
Digital speaker controller / crossover

**Optional Accessories:**  
Stainless steel mounting yoke  
Digital speaker controller



## APPLICATIONS:

- Waterparks, Theme and Amusement Parks
- Outdoor Entertainment Centers
- Swimming Pools
- Cruise Ships
- Music Pavilions
- Stadium Fill
- Musical Fountains

## FEATURES:

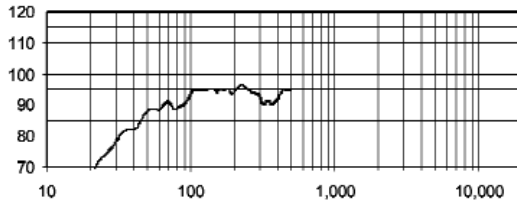
- All-weather, Multi-layer Glass Composite Enclosure
- Stainless steel hardware
- Integral Mounting Points
- Weather-Stop™ Grille

## DESCRIPTION

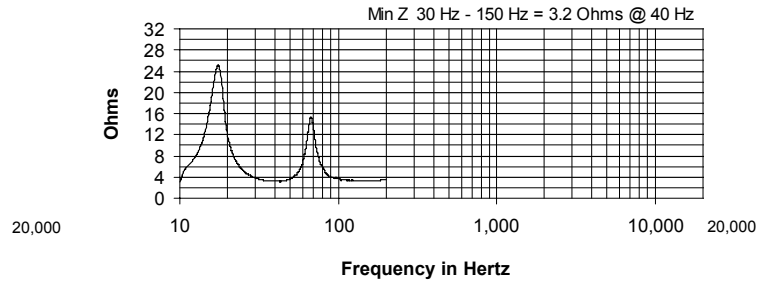
The Community WET125 subwoofer is a high output, high sensitivity, vented low frequency speaker system with extended low frequency response down to 50 Hz. Includes two 15" cast frame Ferrofluid-cooled speakers mounted to a vented enclosure. Engineered for use in permanent installations. The loudspeaker enclosure is constructed of hand-laminated fiberglass.

Five year limited warranty.

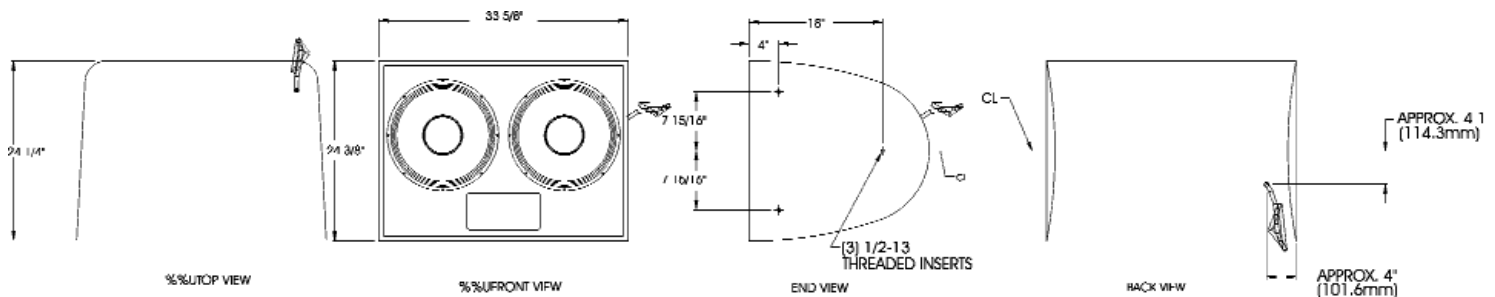
## FREQUENCY RESPONSE (WITHOUT CONTROLLER)



## IMPEDANCE



## DIMENSIONS



## ARCHITECTS AND ENGINEERS SPECIFICATIONS

The loudspeaker system shall be a vented bass reflex multi-layer glass composite cabinet with two cast frame triple-spider 15 in. Ferrofluid-cooled woofers. There shall be 12' (4m) #16 guage SJOW input connector. There shall be (6) 1/2-13 integral threaded mounting points connected to internal bracing. The system shall have an amplitude response of 50 Hz to 140 Hz , input capability of 40V RMS, 98 dB sensitivity at one meter and 2V / 4 ohms nominal impedance. The nominal dispersion shall be omni-directional throughout the operating range. The loudspeaker shall be 24.375 in. H x 33.625 in. W (front) x 16.2 in.x 24.25 in. D and weigh 105 lbs.

## LIMITED WARRANTY

Community loudspeaker systems are guaranteed to be free from defects in materials and workmanship for a period of five years from the original date of sale. Since the warranty applies to the product, the remainder of the warranty period will be automatically transferred to any subsequent owner. Only failures caused by defects in materials and workmanship are covered, not failures caused by abuse, accident, modification, improper handling/installation, or repairs made without factory authorization or by other than an authorized Community Field Service Station. Products covered by this warranty will be repaired or replaced at the option of Community, without charge for materials or labor, provided all the terms of this warranty have been met. This statement is a condensed version of the Community Product Warranty, intended for quick reference only. For complete warranty information, consult the product owners manual or call (610) 876-3400 for a copy.