



PROFESSIONAL LOUDSPEAKERS

# WET920

WEATHER-RESISTANT 3-WAY FULL-RANGE LOUDSPEAKER SYSTEM

## SPECIFICATIONS (See notes 1 and 2)

**Loudspeaker Type:** 3-way, weather-resistant, full-range  
**Operating Range:** 95 Hz - 18 kHz, 120 Hz - 18 kHz (+/-3dB)  
**Max Input (Passive):**  
 200W continuous, 500W program  
 40 volts RMS, 89 volts momentary peak  
 Recommended Power Amp: 420W to 600W @ 8 Ohms  
**Sensitivity 1W/1m:** 107 dB SPL (100 Hz - 16 kHz 1/3 octave bands)  
 108 dB SPL (250 Hz - 4 kHz speech range)  
**Maximum Output:** 130 dB SPL / 137 dB SPL (peak)  
**Nominal Impedance (passive):** 8 Ohms  
**Min Impedance:** 5.5 Ohms @ 600 Hz  
**Nominal Impedances :** 8 Ohms  
**Nominal -6dB Beamwidth:**  
 65° H (+16° / -19°, 1 kHz - 16 kHz)  
 50° V (+43° / -13°, 1 kHz - 16 kHz)  
**Axial Q / DI:** 20.8 / 13.2, 1 kHz - 16 kHz  
**Crossover Frequencies:** 800 Hz / 3 kHz  
**Recommended Signal Processing:**  
 80 Hz high pass filter  
**Drivers (Ferrofluid-cooled):**  
 LF (2) 8" dual-spider  
 MF (1) M200 2", non-metallic diaphragm  
 HF (1) VHF100 1" exit, non-metallic diaphragm  
**Driver Protection:** PowerSense™ DDP  
**Input Connection:** 12 foot (3.7m) SJOW #16 gauge  
**Enclosure:** Hand-laminated fiberglass, black gelcoat  
**Enclosure Hardware:**  
 (4 ea.) stainless steel lock & flat washers, rubber washers  
**Mounting / Rigging Provisions:**  
 (4) 1/2-13 rigging points  
**Grille:** Stainless steel  
**Optional Accessories:** SSY25 stainless steel mounting yoke  
**Supplied Accessories:** (4) 1/2-13 x 1" stainless steel bolts

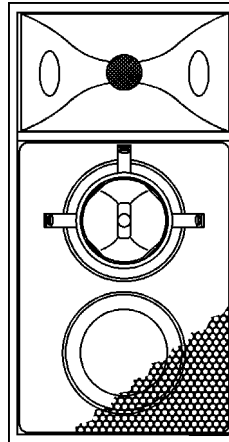
**Dimensions:** Height: 26 in. / 660 mm  
 Width (front): 13.75 in. / 349 mm  
 Depth: 14.5 in. / 368 mm

**Weight:** 70 lb. / 31.8 kg

**Shipping Weight:** 87 lb. / 39.5 kg

**1. Sensitivity:** Free field pink noise measurement at 20 ft / 6.1 m at 25% power; extrapolated to 1 meter and an input of 2.83 volts RMS.

**2. Watts:** All wattage figures are calculated using the rated nominal impedance.



## APPLICATIONS:

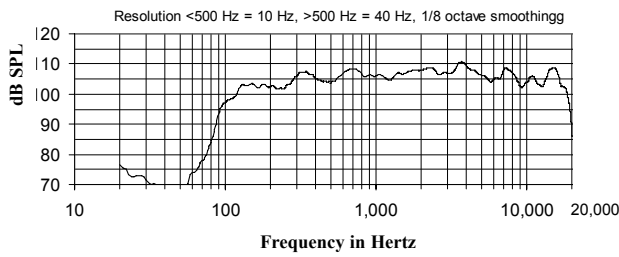
- Arenas / Sports Venues
- Theme Parks / Water Parks
- Outdoor Entertainment
- Cruise Ships / Swimming Pools

## DESCRIPTION

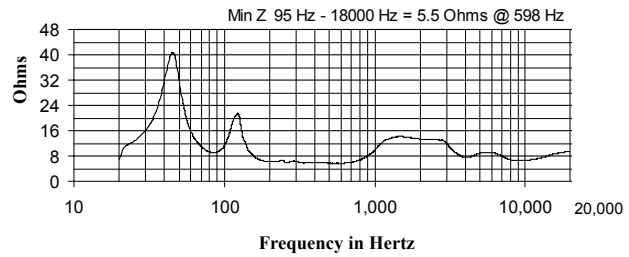
The Community WET920 loudspeaker is a high output, high sensitivity, horn-loaded, three-way, weather-resistant full-range loudspeaker system with an integral one-piece fiberglass enclosure and baffle of Wavefront Coherent™ design. It provides high intelligibility voice projection and musical reinforcement in a very compact package. Engineered for use in permanent installations, the loudspeaker enclosure is constructed of reinforced fiberglass composites with four integral 1/2 x 13" threaded mounting points. All drivers are Ferrofluid cooled and are protected by Community's exclusive three-layer, stainless steel, Weather-Stop™ Grille.

Five year limited warranty.

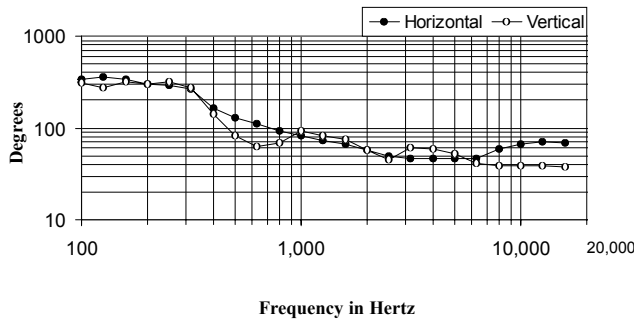
## Frequency Response



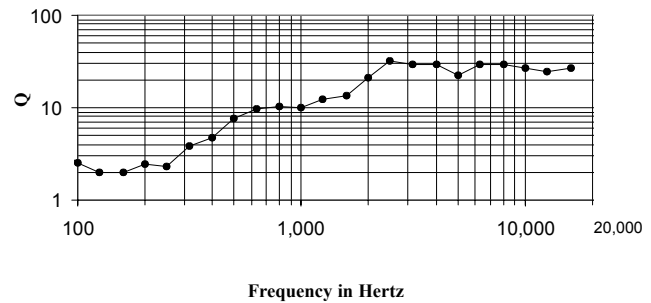
## Impedance



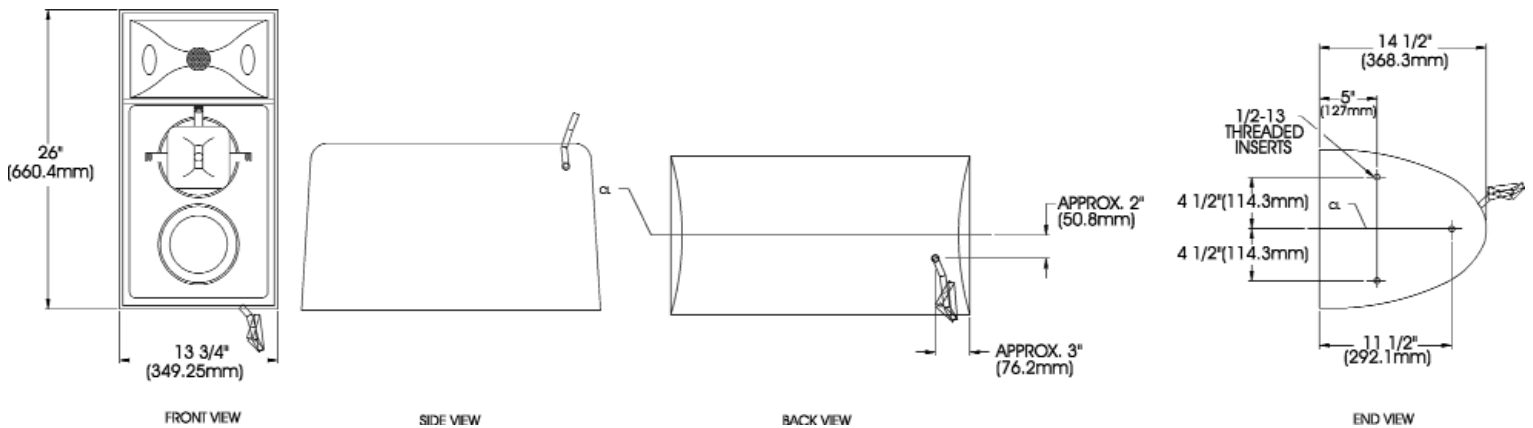
## Beamwidth



## Axial Q



## DIMENSIONS



## ARCHITECTS AND ENGINEERS SPECIFICATIONS

The loudspeaker system shall be a horn-loaded, three-way, full-range curvilinear weather-resistant design with two 8 in. dual-spider Ferrofluid-cooled woofers, one 2 in. exit Ferrofluid-cooled midrange compression driver with a non-metallic diaphragm and one 1 in. exit HF driver with a non-metallic diaphragm mounted on a fiberglass waveguide. Drivers shall be connected to an integral crossover with crossover frequencies of 800 Hz and 3 kHz and integral over-current protection circuitry using high positive current coefficient resistors. Input shall be through 12 foot, #16 gauge, 2 conductor SJOW cable. The one piece enclosure shall be constructed of reinforced fiberglass composites with four integral 1/2 x 13" threaded mounting points. The system shall have an amplitude response of 120 Hz to 18 kHz (+/- 3 dB), input capability of 40V RMS, 107 dB sensitivity at one meter and 8 ohms nominal impedance. The nominal dispersion shall be 80°H x 50° V from 1 kHz to 16 kHz. The loudspeaker shall be 26 in. (660 mm) H x 13.75 in. (349 mm) W x 14.5 in. (368 mm) D and weigh 70 lbs. (31.9 kg).