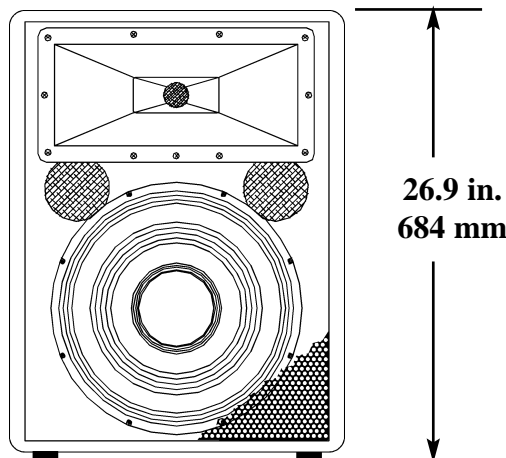


AF CB CP CS CV HD HS R SL WE **XE** XL

SPECIFICATIONS (See notes 1 and 2)

Loudspeaker Type:	2-way, Full-range, bass ported
Operating Range:	50 Hz - 18 kHz
	50 Hz - 18 kHz (+/-5dB)
Max Input (Passive):	200W continuous, 500W program
	40 volts RMS, 89 volts momentary peak
Recommended Power Amp:	420W to 600W @ 8 Ohms
Max Inputs (Biamp):	
LF: (Same as for Passive mode)	
Recommended LF Power Amp: (Same as for Passive mode)	
HF: 50W continuous, 125W program	
20 volts RMS, 45 volts momentary peak	
Recommended HF Power Amp: 100W to 150W @ 8 Ohms	
Sensitivity 1W/1m:	
98 dB SPL (50 Hz - 16 kHz 1/3 octave bands)	
98 dB SPL (250 Hz - 4 kHz speech range)	
Maximum Output:	121 dB SPL / 128 dB SPL (peak)
Nominal Impedance (passive):	8 Ohms
Min Impedance:	5.3 Ohms @ 190 Hz
Nominal Impedances (Biamp):	LF: 8 Ohms, HF: 8 Ohms
Nominal -6dB Beamwidth:	
80° H (+0° / -26°, 2 kHz - 10 kHz)	
35° V (+16° / -9°, 2 kHz - 10 kHz)	
Axial Q / DI:	
21.2 / 13.3, 2 kHz - 10 kHz	
Crossover Frequency:	2 kHz
Recommended Signal Processing:	40 Hz high pass filter
Drivers:	
LF (1) 15", Ferrofluid-cooled	
HF (1) 1" exit, titanium diaphragm	
Driver Protection:	PowerSense™ DDP
Input Connection:	(2) Neutrik NL4MP
	(2) 1/4 in. jack
Controls:	Passive / Biamp switch
	2 position HF level switch
Enclosure:	13-ply 18 mm Baltic birch, Polane painted
Enclosure Hardware:	
(2) Steel recessed bar-handles	
(4) Heavy-duty rubber feet	
Mounting / Rigging Provisions:	
(6) 3/8-16 rigging points, W.L.L. 150 lb. vertical pull each	
(1) 1-3/8 in. pole socket	
Grille:	16 gauge perforated steel, black powder coated
Required Accessories:	None
Supplied Accessories:	None
Optional Accessories:	
EYBLTKIT: (4) 3/8-16 forged eyebolts	
SB5: black 5 ft x 1-3/8" steel pole for mounting to a subwoofer	
Dimensions (including feet):	
Height:	26.9 in. / 684 mm (26.5 in. / 673 mm w/o feet)
Width (front):	19.75 in. / 502 mm
Width (rear):	13 in. / 331 mm
Depth:	17.9 in. / 455 mm
Weight:	68.5 lb. / 31.1 kg
Shipping Weight:	75 lb. / 34 kg



APPLICATIONS:

- Sound Reinforcement
- Clubs
- Houses of Worship
- Sport Facilities & Health Clubs
- Industrial A/V

FEATURES:

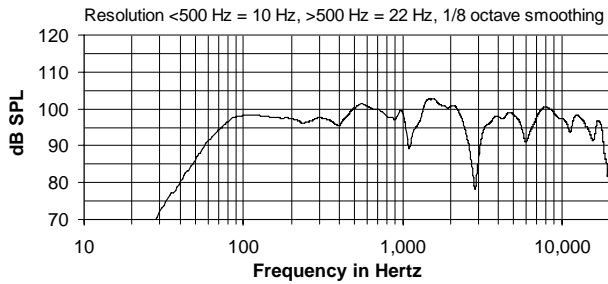
- 1" Titanium HF Driver with HF Level Switch
- Ferrofluid-cooled 15" LF
- Switchable Passive / Biamp Modes
- PowerSense™ DDP Circuit with Front/Rear Indicators
- Trapezoidal Enclosure for Arraying
- Steel Bar-Handles and Input Panel
- Black Paint Exterior

DESCRIPTION

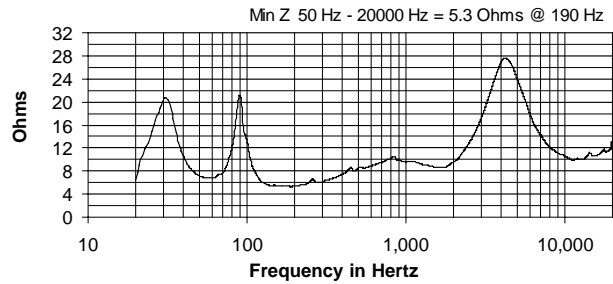
The XLT43E is a small and versatile two-way full-range bass reflex loudspeaker system engineered for multiple uses in club and performance public address. This system has a rotatable HF horn. Availability of both captive rigging points and provision for a stand adapter allow this system to be used effectively in both portable and installed situations. The black-painted Baltic birch enclosure, steel handles and black perforated steel grille present an attractive and rugged package. Features an over-drive indicator light and a passive / biamp switch on the input panel, PowerSense protection circuitry and a Ferrofluid cooled woofer. Five year warranty.

- 1. Sensitivity:** Free field pink noise measurement at 20 feet (6.1m) at 25% power; extrapolated to 1 meter and an input of 2.83 volts RMS.
- 2. Watts:** All wattage figures are calculated using the rated nominal impedance.

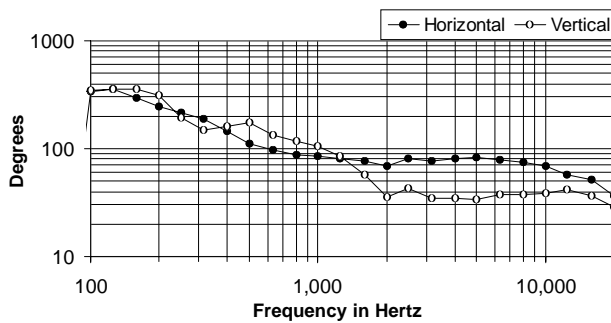
FREQUENCY RESPONSE



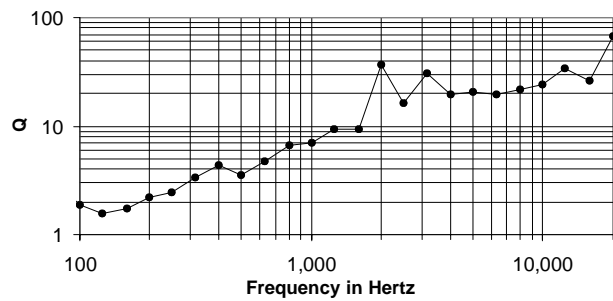
IMPEDANCE



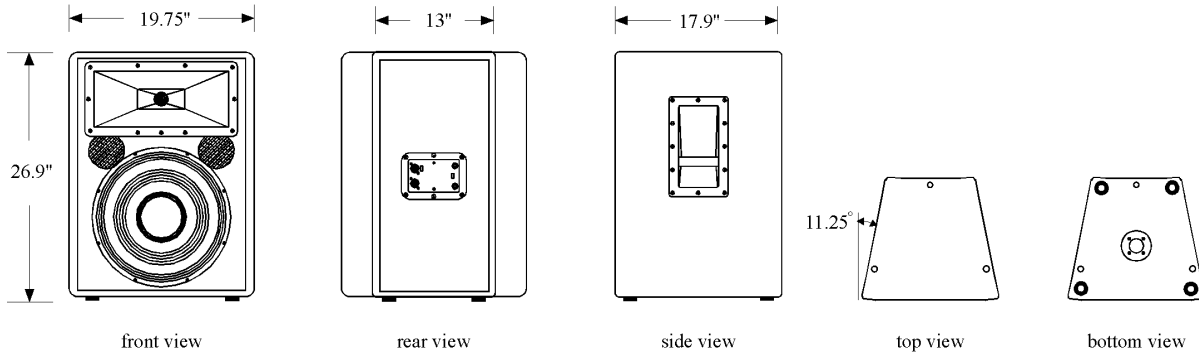
BEAMWIDTH



AXIAL Q



DIMENSIONS



ARCHITECTS' AND ENGINEERS' SPECIFICATIONS

The loudspeaker system shall be a two-way, full-range bass reflex trapezoidal design with one 15 in. Ferrofluid-cooled woofer and one 1 in. exit HF driver with a titanium diaphragm mounted to a 90° HF fiberglass horn. Drivers shall be connected to an integral crossover with a crossover frequency of 2 kHz and integral over-current protection circuitry using high positive current coefficient resistors. There shall be two NL4MP connectors and two 1/4" phone jack connectors with a switch for passive or biamplified connection and rear-facing LED over-power indicator light. The loudspeaker enclosure shall be black carpeted Baltic Birch plywood with a 16 gauge perforated steel grille. The system shall have an amplitude response of 50 Hz to 18 kHz (+/- 5 dB), input capability of 40V RMS, 98 dB sensitivity at one meter and 2.83V / 8 ohms nominal impedance. The nominal dispersion shall be 80° H x 35° V from 2 kHz to 10 kHz. The loudspeaker shall be 26.9 in. (684 mm) H x 19.75 in. (502 mm) W (front) x 13 in. (331 mm) W (rear) x 17.9 in. (455 mm) D and weigh 68.5 lbs (31.1 kg).