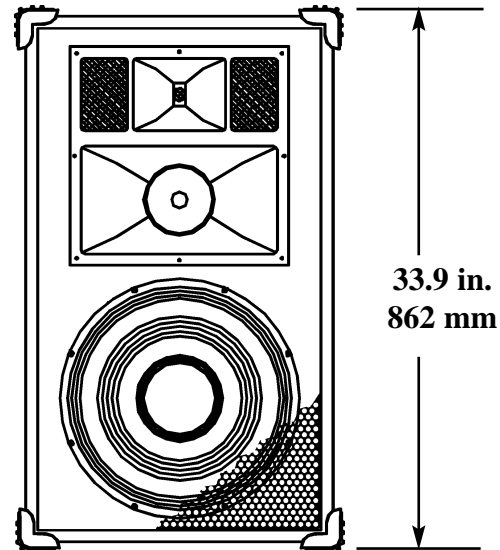


AF CB CP CS CV HD HS R SL WE XE **XL**

SPECIFICATIONS (See notes 1 and 2)

- Loudspeaker Type:** 3-way, Full-range, bass ported
Operating Range: 50 Hz - 18 kHz
 50 Hz - 18 kHz (+/-5dB)
Max Input (Passive):
 200W continuous, 500W Program
 28 volts RMS, 63 volts momentary peak
Recommended Power Amplifier:
 420W to 600W @ 4 Ohms
Max Inputs (Biamp):
 LF: (Same as for Passive mode)
 Recommended LF Power Amp: (Same as for Passive mode)
 MF/HF: 80W continuous, 200W program
 25 volts RMS, 57 volts momentary peak
 Recommended MF/HF Power Amp: 170W to 240W @ 8 Ohms
Sensitivity 1W/1m:
 97dB SPL (50 Hz - 18 kHz 1/3 octave bands)
 97dB SPL (250 Hz - 4 kHz speech range)
Maximum Output: 120 dB SPL / 127 dB SPL (peak)
Nominal Impedance (Passive): 4 Ohms
Min Impedance: 5.1 Ohms @ 120 Hz
Nominal Impedance (Biamp): LF: 4 Ohms, HF: 8 Ohms
Nominal -6 dB Beamwidth:
 65° H (+5° / -5°, 2 kHz - 10 kHz)
 30° V (+7° / -7°, 2 kHz - 10 kHz)
Axial Q / DI:
 25.1 / 14, 2 kHz - 10 kHz
Crossover Frequency: 500 Hz / 2.5 kHz
Recommended Signal Processing: 40 Hz high pass filter
Drivers: LF (1) 15", Ferrofluid-cooled
 MF (1) 6.5" cone, Ferrofluid-cooled
 HF (1) 1" exit, titanium diaphragm
Driver Protection: PowerSense™ DDP
Input Connection: (2) Neutrik NL4MP
 (2) 1/4 in. jacks
Controls: Passive / Biamp switch, 2 position HF level switch
Enclosure: Black carpet covered Oriented Strand Board
Enclosure Hardware:
 (2) Steel recessed bar-handles
 (8) Interlocking corner protectors
Mounting / Rigging Provisions:
 (4) 5/16-18 mounting points
 (2) 5/16 -18 stand adapter attachment points
Grille: 16 gauge perforated steel, black powder coated
Required Accessories: None
Supplied Accessories: None
Optional Accessories: None
Dimensions (including corner protectors):
 Height: 33.9 in. / 862 mm
 Width (front): 20.3 in. / 515 mm
 Width (rear): 13.7 in. / 347 mm
 Depth: 18.2 in. / 463 mm
Weight: 86.5 lb. / 39.2 kg
Shipping Weight: 97 lb. / 44 kg



APPLICATIONS:

- Sound Reinforcement / Portable PA
- Clubs
- Houses of Worship
- Sport Facilities & Health Clubs
- Industrial A/V
- Keyboard Systems

FEATURES:

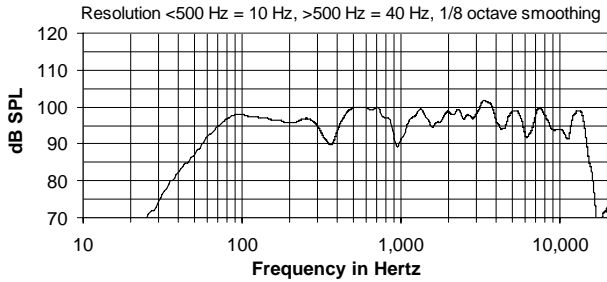
- 1" Titanium HF Driver, 6 1/2" Midrange
- Switchable Passive / Biamp Modes
- HF Level Switch
- PowerSense™ DDP Circuit with Front/Rear Indicators
- Trapezoidal Enclosure for Arraying
- Steel Bar-Handles and Input Panel
- Black-Carpeted Exterior

DESCRIPTION

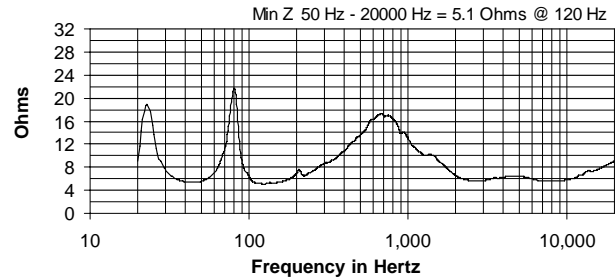
The XLT46 is a versatile, full-range three-way full-range bass reflex loudspeaker system engineered for use in small to medium PA systems in clubs or performance applications. The 60 x 40 HF horn is rotatable for narrower horizontal coverage or for vertical mounting. The black-carpeted OSB enclosure and black perforated steel grille present an attractive and rugged package. Features a over-drive indicator light and a passive / biamp switch on the input panel, PowerSense protection circuitry and a Ferrofluid cooled woofer. Five year limited warranty.

- 1. Sensitivity:** Free field pink noise measurement at 20 ft / 6.1 m at 25% power; extrapolated to 1 meter and an input of 2 volts RMS.
- 2. Watts:** All wattage figures are calculated using the rated nominal impedance.

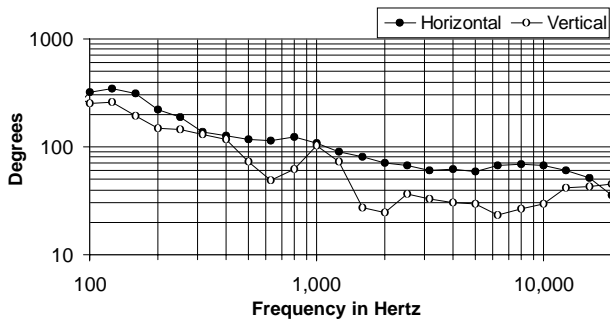
FREQUENCY RESPONSE



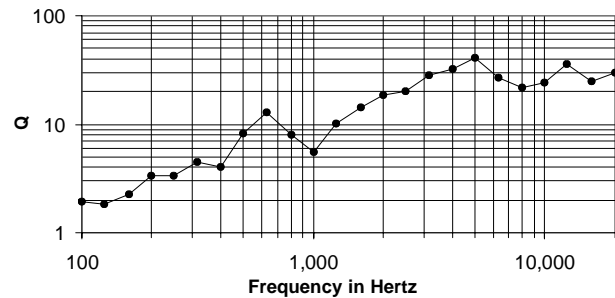
IMPEDANCE



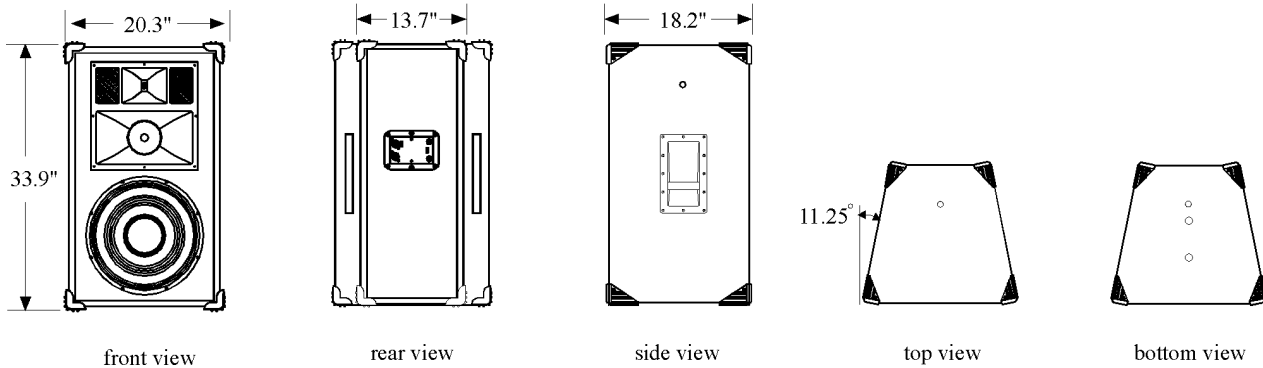
BEAMWIDTH



AXIAL Q



DIMENSIONS



ARCHITECTS' AND ENGINEERS' SPECIFICATIONS

The loudspeaker system shall be a three-way, full-range bass reflex trapezoidal design with one 15 in. Ferrofluid-cooled woofer, one 6.5" Ferrofluid-cooled midrange driver and one 1 in. exit HF driver with a titanium diaphragm mounted to a 60° HF fiberglass horn. Drivers shall be connected to an integral crossover with crossover frequencies of 500 Hz and 2 kHz and integral over-current protection circuitry using high positive current coefficient resistors. There shall be two NL4MP connectors and two 1/4" phone jack connectors with a switch for passive or bi-amplified connection and rear-facing LED over-power indicator light. The loudspeaker enclosure shall be black carpeted Oriented Strand Board (OSB) with a 16 gauge perforated steel grille. The system shall have an amplitude response of 50 Hz to 18 kHz (+/- 5 dB), input capability of 28V RMS, 97 dB sensitivity at one meter and 2V / 4 ohms nominal impedance. The nominal dispersion shall be 65°H x 30° V from 2 kHz to 10 kHz. The loudspeaker shall be 33.9 in. (862 mm) H x 20.3 in. (515 mm) W (front) x 13.7 in. (347 mm) W (rear) x 18.2 in. (463 mm) D and weigh 86.5 lbs (39.2 kg).