



SPECIFICATIONS (See notes 1 and 2)

- Loudspeaker Type:** Bass reflex subwoofer
Operating Range: 40 Hz - 250 Hz
 50 Hz - 150 Hz (+/-3dB)
Max Input Ratings: 400W continuous, 1000W program
 40 volts RMS, 89 volts momentary peak
Recommended Power Amplifier:
 For maximum SPL: 800W to 1200W @ 4 Ohms

NOTE: When driving a full-range cabinet from the high pass output, the power rating and nominal impedance for the two cabinets stays the same as the rating of the subwoofer cabinet. (400 watts continuous/4 ohms).

When using the XP509 with the XP525, separate amplifiers are recommended if maximum sound pressure level for the combination is desired.

- Sensitivity 1W/1m:** 96 dB SPL (50 Hz - 200 Hz 1/3 octave bands)
Maximum Output: 122 dB SPL / 129 dB SPL (peak)
Nominal Impedance: 4 Ohms
Min Impedance: 4.4 Ohms @ 120 Hz
Nominal -6 dB Beamwidth: 360° H x 360° V
Axial Q / DI: 1 / 0, 40 Hz - 150 Hz

- Recommended Signal Processing:**
 80 Hz - 150 Hz electronic crossover
 30 Hz high pass filter

- Drivers:** LF (2) 15"
Driver Protection: IntelliSense™
Input Connection: (2) Locking connectors
 (compatible with Speakon™ NL4)
 (2) 1/4" jacks

- Controls:** Switchable Low Pass Filter - 30Hz
 Switchable Hi-Pass Output - 150Hz

Enclosure: Black carpeted 3/4" Luaun-core plywood

- Enclosure Hardware:**
 (2) Steel recessed bar-handles
 (8) Interlocking corner protectors

- Mounting / Rigging Provisions:**
 (3) 5/16-18 suspension strap attachment points
 1 3/8" Metal stand socket for supplied mounting pole

Grille: 16 gauge perforated steel, black powder coated

Required Accessories: None

- Supplied Accessories:** (1) 33.5" mounting pole used to mount XLT500 Series speakers

Optional Accessories: DSC52 Digital System Controller

Dimensions (including corner protectors):

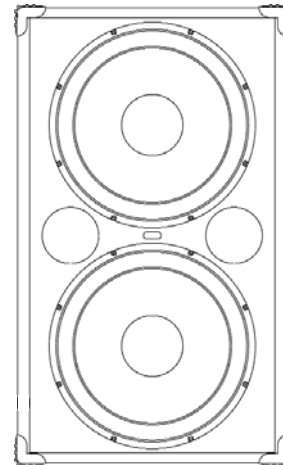
- Height: 33.5"/851 mm
 Width (front): 20.3"/515 mm
 Width (rear): 13.7"/348 mm
 Depth: 18.2"/462 mm

Weight: 70 lb./31.8 kg

Shipping Weight: 81 lb./36.7 kg

1. Sensitivity: Free field pink noise measurement at 8 ft. /2.4 m at 75% power; extrapolated to 1 meter and an input voltage of 2 volts RMS.

2. Watts: All wattage figures are calculated using the rated nominal impedance.



APPLICATIONS:

- Sound Reinforcement / Portable PA
- Clubs/DJ
- Houses of Worship
- Sport Facilities & Health Clubs
- Keyboard Systems
- Rental Systems

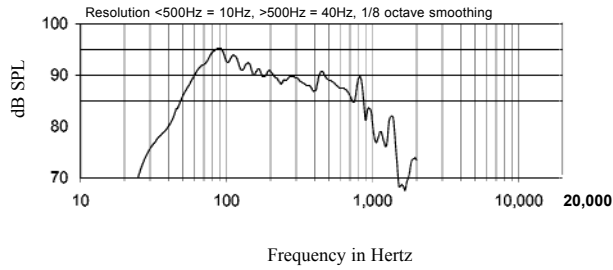
FEATURES:

- Three Color PowerMeter™ LEDs
- IntelliSense™ Three Stage Solid State Protection Circuitry with Front/Rear Indicators
- 24" Mounting Pole included
- Black Carpeted Exterior
- Steel Bar-handles and Input Panel
- Switchable Hi-Pass Output
- Switchable Low Pass Filter

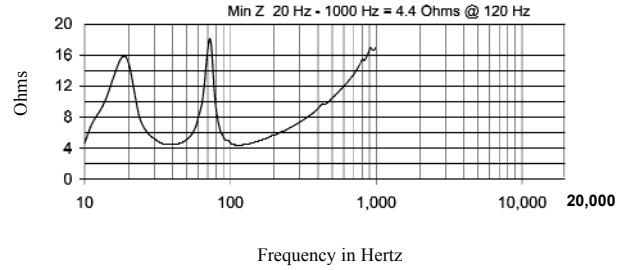
DESCRIPTION

The XP509 is a versatile high-efficiency subwoofer designed for use with any of the XP full-range loudspeaker systems for extended deep bass output with exceptional punch. The XP509 features improved IntelliSense™ protective circuitry with front and rear panel mounted 3 color PowerMeter™ LEDs. The LEDs flash green to indicate signal presence, yellow to warn that the loudspeaker is entering its first stages of protection, and red to show that full protection has been activated. Within protection mode, IntelliSense automatically attenuates speaker levels to within a safe operating range. Once volume has been reduced, the circuit resets itself, restoring full power and operation to the speaker. The black carpeted enclosure and black perforated steel grille present an attractive and rugged package. Five year warranty.

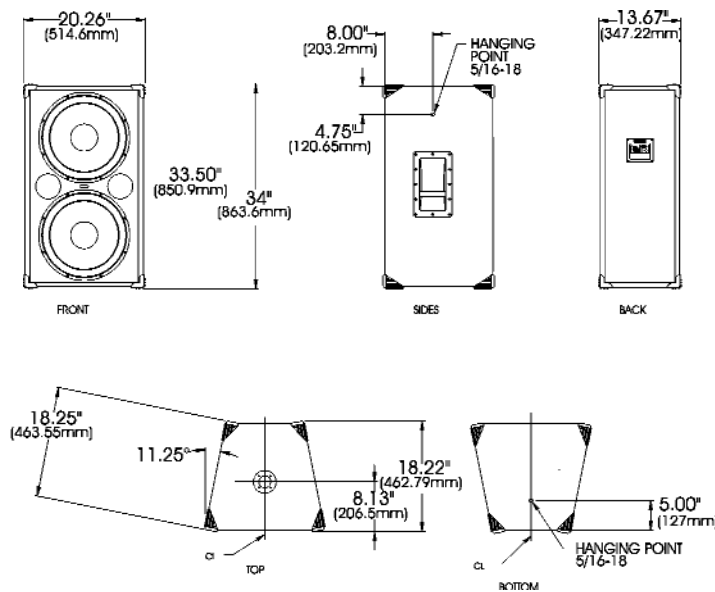
Frequency Response



Impedance



DIMENSIONS



ARCHITECTS AND ENGINEERS SPECIFICATIONS

The loudspeaker system shall be a subwoofer of bass reflex trapezoidal design with two 15" woofers and a switchable High Pass Output/Low Pass Filter. There shall be two locking connectors and two 1/4" phone jacks. The loudspeaker enclosure shall be black carpeted 3/4" plywood with a 16 gauge perforated steel grille. The system shall have an amplitude response of 50 Hz to 150 Hz (+/- 3 dB), input capability of 40V RMS, 96 dB sensitivity at one meter and 2V / 4 ohms nominal impedance. The nominal dispersion shall be omni-directional throughout the operating range. The loudspeaker shall be 33.5" (851 mm) H x 20.3 in. (515mm) W (front) x 13.7" (348 mm) W (rear) x 18.2" (462 mm) D and weigh 70 lbs (31.8 kg).