



# XP525

PROFESSIONAL LOUDSPEAKERS TWO-WAY, BI-AMPABLE MULTI-ANGLE MONITOR WITH 90° X 40° HF HORN

## SPECIFICATIONS (See notes 1 and 2)

**Loudspeaker Type:** 3-way, full-range, bass reflex

**Operating Range:** 50 Hz - 18 kHz  
60 Hz - 15 kHz (+/-5dB)

### Max Input (Passive):

600W continuous, 1500W Program  
49 volts RMS, 110 volts momentary peak

### Recommended Power Amplifier:

For maximum SPL: 1250W to 1800W @ 4 Ohms

### Sensitivity 1W/1m:

101 dB SPL (63 Hz - 16 kHz 1/3 octave bands)  
102 dB SPL (250 Hz - 4 kHz speech range)

### Maximum Inputs (biamp):

LF (same as for passive mode)  
HF: 80W continuous, 200W PGM @ 4 Ohms.

**Maximum Output:** 131 dB SPL / 138 dB SPL (peak)

**Nominal Impedance (passive):** 4 Ohms

**Min Impedance:** 2.8 Ohms @ 210 Hz

### Nominal -6 dB Beamwidth:

90° H (-11° / -48°, 1 kHz - 12.5 kHz)  
40° V (+10° / -27°, 1 kHz - 12.5 kHz)

**Axial Q / DI:** 19.5 / 12.9, 1 kHz - 12.5 kHz

**Crossover Frequency:** 500 Hz / 2.5 kHz

**Recommended Signal Processing:** 40 Hz high pass filter

### Drivers:

LF (2) 15"  
MF (1) 6.5" Ferrofluid-cooled  
HF (1) 1" exit, non-metallic diaphragm, Ferrofluid-cooled

**Driver Protection:** IntelliSense™

**Input Connection:** (2) Locking connectors  
(compatible with Speakon™ NL4)  
(2) 1/4" jacks

**Controls:** HF presence switch  
Bi-amp/Full-range switch

**Enclosure:** Black carpeted 3/4" Luaun-core plywood

### Enclosure Hardware:

(2) Steel recessed bar-handles  
(8) corner protectors

### Mounting / Rigging Provisions:

(3) 5/16-18 suspension strap attachment points

**Grille:** 16 gauge perforated steel

**Required Accessories:** None

**Supplied Accessories:** None

### Optional Accessories:

Strapkit: (3) steel straps for suspending

### Dimensions (including corner protectors):

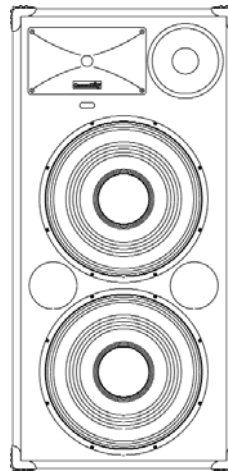
Height: 42" / 1065 mm  
Width (front): 20.3" / 516 mm  
Width (rear): 13.7" / 348 mm  
Depth: 18.2" / 462 mm

**Weight:** 80 lb. / 36.3 kg

**Shipping Weight:** 90 lb. / 40.8 kg

**1. Sensitivity:** Free field pink noise measurement at 40 ft / 12.2 m at 50% power; extrapolated to 1 meter and an input voltage of 2 volts RMS.

**2. Watts:** All wattage figures are calculated using the rated nominal impedance.



## APPLICATIONS:

- Sound Reinforcement / Portable PA
- Clubs/DJs
- Houses of Worship
- Sport Facilities & Health Clubs
- Rental Systems
- Keyboard Systems

## FEATURES:

- 3 Color PowerMeter™ LEDs
- IntelliSense™ Three Stage Solid State Protection Circuitry with Front/Rear Indicators
- 1" Exit Proprietary, Ferrofluid-cooled UC1 HF Driver, Non-metallic Diaphragm
- Tall Trapezoidal Enclosure For HF Projection
- Steel Bar Handles and Input Panel
- Black-Carpeted Exterior
- Switchable High Frequency Boost and Cut Switch
- Full-range/Biamp Operation

## DESCRIPTION

The XP525 is a three-way, bi-ampable, full-range bass reflex loudspeaker system with two 15" LF drivers engineered for use in medium-sized club and performance applications. The XP525 easily projects sound over audiences when placed on top of an XLT subwoofer in applications normally requiring a speaker stand. Features improved IntelliSense™ circuitry, which operates in conjunction with PowerMeter™ LED indicators. Found on both front and rear panels, the LEDs flash green to indicate signal presence, yellow to warn that the loudspeaker is entering its first stages of protection and red to show that full protection has been activated. Within protection mode, IntelliSense automatically attenuates speaker levels to within a safe operating range. Once volume has been reduced, the circuit resets itself. The black carpeted enclosure and black perforated steel grille present an attractive and rugged package. Five year limited warranty.

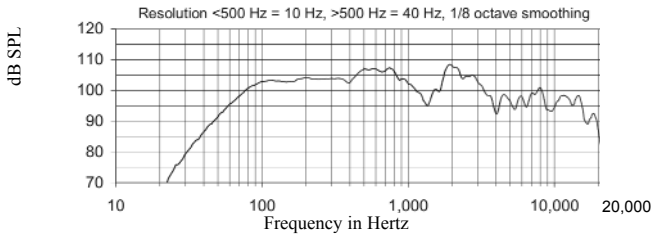
XP525 Page 1 of 2

COMMUNITY PROFESSIONAL LOUDSPEAKERS

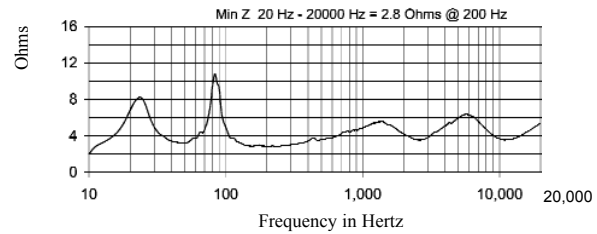
333 East 5th Street, Chester, PA USA 19013-4511 TEL (610) 876-3400 FAX (610) 874-0190

www.loudspeakers.net

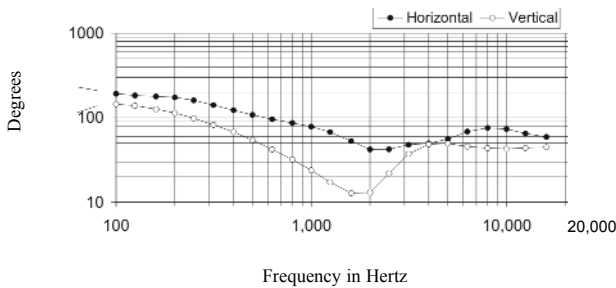
## Frequency Response



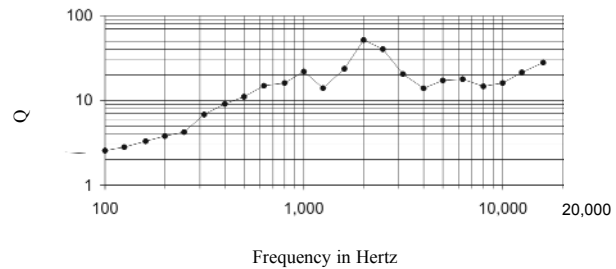
## Impedance



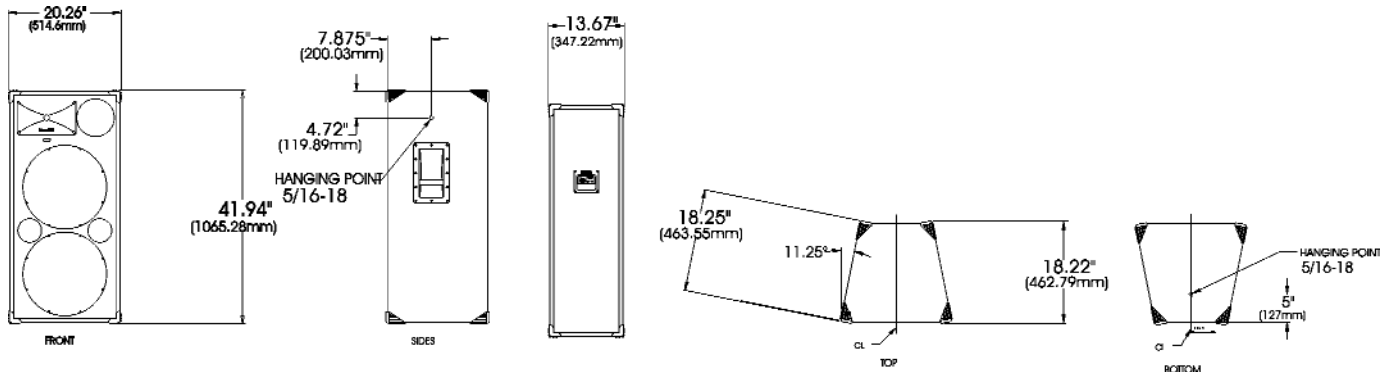
## Beamwidth



## Axial Q



## DIMENSIONS



## ARCHITECTS AND ENGINEERS SPECIFICATIONS

The loudspeaker system shall be a three-way, bi-ampable, full-range bass reflex trapezoidal design with two 15" woofers, one 6.5" Ferrofluid-cooled mid-frequency cone, and one 1" exit HF driver with a non-metallic diaphragm mounted to a 90°H x 40°V molded horn. Drivers shall be connected to an integral crossover with a crossover frequency of 500Hz and 2.5kHz and integral three stage protection circuitry. There shall be two locking connectors and two 1/4" phone jack connectors. The loudspeaker enclosure shall be black carpeted plywood enclosure with a 16 gauge perforated steel grille. The system shall have an amplitude response of 60 Hz to 15kHz (+/- 5 dB), input capability of 49V RMS, 101 dB sensitivity at one meter and 2V / 4 ohms nominal impedance. The nominal dispersion shall be 90°H x 40° V from 1 kHz to 12.5 kHz. The loudspeaker shall be 42" (1065 mm) H x 20.3" (516 mm) W (front) x 13.7" (348 mm) W (rear) x 18.2" (462 mm) D and weigh 80 lbs (36.3 kg).