

DATA SHEET

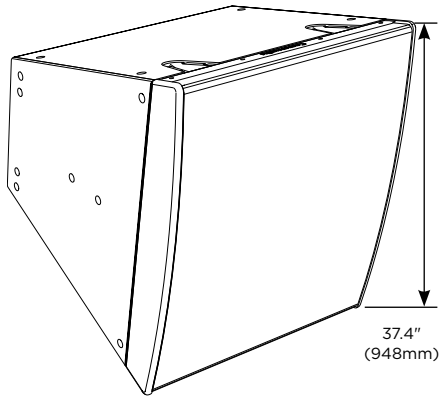
Preliminary



Community L SERIES Beamforming Venue Horn™

LVH-909/AS

20°, 40°, 60° AND LONG-THROW DISPERSION, ARRAYABLE, HIGH OUTPUT LOUDSPEAKER



FEATURES

- Designed for extraordinary performance in large venues
- Large format, horn-loaded triaxial design maintains pattern control to 400Hz
- Rotatable enclosure and rigging for vertical or horizontal arrays
- Colinear manifold for HF and MF beamforming
- Indoor or Outdoor weather-resistant models

TECHNICAL SPECIFICATIONS

Operating Mode	Active Symmetry with FIR DSP Beamforming		
Operating Environment	Indoor or Outdoor Direct Exposure		
Operating Range (-10dB)	60 Hz to 18 kHz		
Nominal Beamwidth	Horizontal: 90° Vertical: 60°, 40°, 20° Traditional symmetrical (FIR DSP user selectable presets) or Dual Cabinet 20° Long Throw		
Transducers	LF - 4 x 12" (305mm) with 3" (76mm) CCAW voice coil, inherently weather-resistant cone in cast aluminum chassis MF - 3 x M200, 2" (51mm) exit, ketone polymer diaphragm, compression driver HF - 4 x 1.5" (38mm) CCAW voice coil, 1" (25mm) exit, ketone polymer diaphragm, compact neodymium compression driver		
Continuous Signal Voltage @ Nominal Impedance	LF1, LF2 (each) MF 1 & 3 MF 2 HF 1 & 4 HF 2 & 3	89V, 8 ohms (178V peak) 26V, 5 ohms (52V peak) 26V, 10 ohms (52V peak) 23V, 8 ohms (46V peak) 23V, 8 ohms (46V peak)	
Crossover Frequencies	550 Hz, 2.5kHz		
Nominal Equalized Maximum SPL @ 1m	Single Cabinet	Peak 141 dB	Continuous 135 dB
	Dual 20° Long Throw	146 dB	140 dB
Required Accessories	DSP with Linear Phase FIR processing included in all Community Amplified Loudspeaker Controllers (ALC models)		
	LF1, LF2 (2 Ch.) All MF & HF (4 Ch.)	ALC-1604D (Bridged) ALC-404D	

APPLICATIONS

Stadiums · Houses of Worship · Arenas
Theaters · Ice Rinks · Auditoriums
Large multipurpose outdoor and indoor venues

DESCRIPTION

Biamp's Community L SERIES LVH-900 Beamforming Venue Horn™, combined with the Community Amplified Loudspeaker Controllers (ALCs), precisely tailors the directivity of each loudspeaker, or array of loudspeakers, to meet the sound requirements in any application.

Designed for exceptional performance in large venues, each LVH-909/AS (Active Standard) model consists of four 12-inch LF drivers, three Community M200 midrange compression drivers and four 1.5-inch HF compression drivers. Using patent-pending techniques, all drivers integrate into a single triaxial waveguide that fill the entire 36 x 31-inch face of the enclosure, providing pattern control to below 400 Hz. The LVH-909 offers 90 degrees of fixed horizontal dispersion, and has presets for vertical dispersion beamforming in 60°, 40°, 20° and dual cabinet long-throw configurations. The LVH-900 Active Standard (AS) models allow DSP settings and control of individual driver pairs to provide uniform sound to the audience areas.

Typical applications include music and speech reinforcement for large houses of worship, stadiums, theatres, and much more. Possessing advanced features, highly-focused dispersion patterns, weather-resistant construction, and most importantly sonic excellence, LVH-900 loudspeakers make installations not only fast and simple, but as functionally effective as possible.

PHYSICAL

Input Connection	Lever-actuated wire clamping 4 and 8-position terminal blocks
Mounting Points	(24) M10 rigging inserts
Operation Environment	Indoor and Outdoor Outdoor: IP55W per IEC 60529 when used with the input panel and seal cup cover plates;
Dimensions H x W x D	37.4" x 31.4" x 30.5" (948 x 797 x 775 mm)
Weight	250 lbs (113.4 kg) Indoor model 215 lbs (97.5 kg) Outdoor weather-resistant model
Finish	Refer to the Technical Drawing (page 3)

OPTIONS

Accessories	Splay Brackets: TBD Yoke / Frame: TBD 3rd party rigging - Indoor & outdoor
-------------	--

Biamp strives to improve its products on a continual basis. Specifications are therefore subject to change without notice.

Preliminary



A: 9300 S.W. Gemini Drive Beaverton, OR 97008 USA

T: +1 503.641.7287

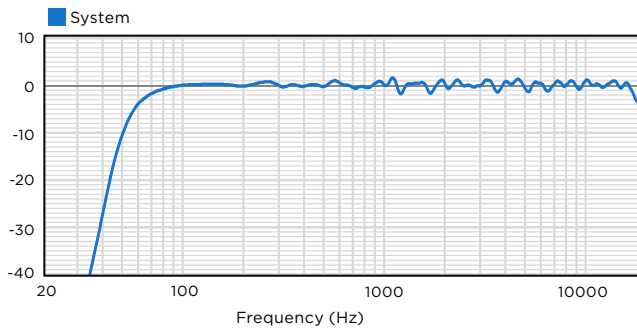
W: www.biamp.com

Community L SERIES Beamforming Venue Horn

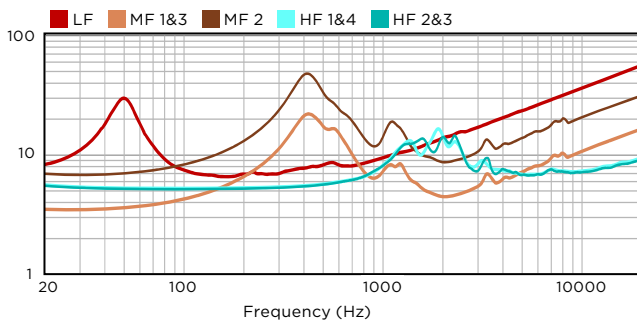
LVH-909/AS

20°, 40°, 60° AND LONG-THROW DISPERSION,
ARRAYABLE, HIGH OUTPUT LOUDSPEAKER

AXIAL PROCESSED RESPONSE (dB)⁸



IMPEDANCE (Ohms)



Min Impedance: (LF) 6.6 ohms @ 160Hz
(MF 1&3) 4.5 ohms @ 2000 Hz, (MF 2) 8.7 ohms @ 2000 Hz,
(HF 1&4) 6.8 ohms @ 5000 Hz, (HF 2&3) 6.8 ohms @ 5000 Hz

Community L SERIES Beamforming Venue Horn

LVH-909/AS

20°, 40°, 60° AND LONG-THROW DISPERSION, ARRAYABLE, HIGH OUTPUT LOUDSPEAKER

TECHNICAL DRAWING / DIMENSIONS / FINISH

H x W x D

37.3" x 31.4" x 30.5"
(948 x 797 x 775 mm)

Unit Weight

250 lbs (113.4 kg) (Indoor)
215 lbs (97.5 kg) (Outdoor Weather-resistant)

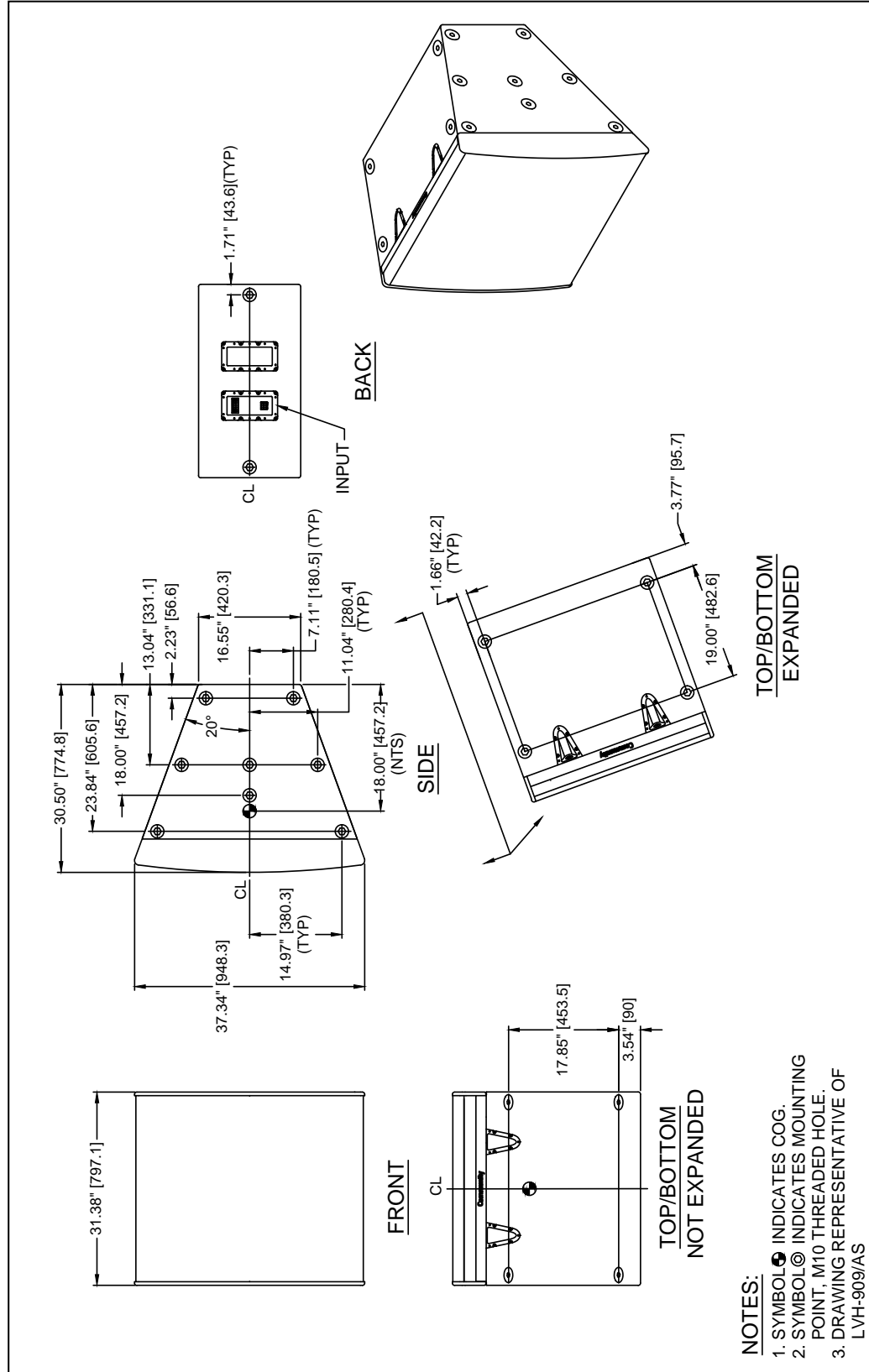
Shipping Weight

TBD

Enclosure Finish

Indoor: Powder-coated perforated steel (indoor) grille backed with acoustically transparent woven fabric with a low gloss, uniformly textured painted 15mm Baltic Birch plywood enclosure

Outdoor (WR): Powder-coated marine grade aluminum grille featuring hydrophobically-treated acoustically transparent woven black fabric backing on a 15mm PolyGlas™ enclosure coated with heavily textured industrial-grade exterior-rated paint.



*Note: Outdoor (WR) versions - There are covers on the seal cups (4) and input panels (2)

Community L SERIES Beamforming Venue Horn

LVH-909/AS

20°, 40°, 60° AND LONG-THROW DISPERSION,
ARRAYABLE, HIGH OUTPUT LOUDSPEAKER

The LVH-900 loudspeakers can be flown singly or arrayed. A few options are shown below.

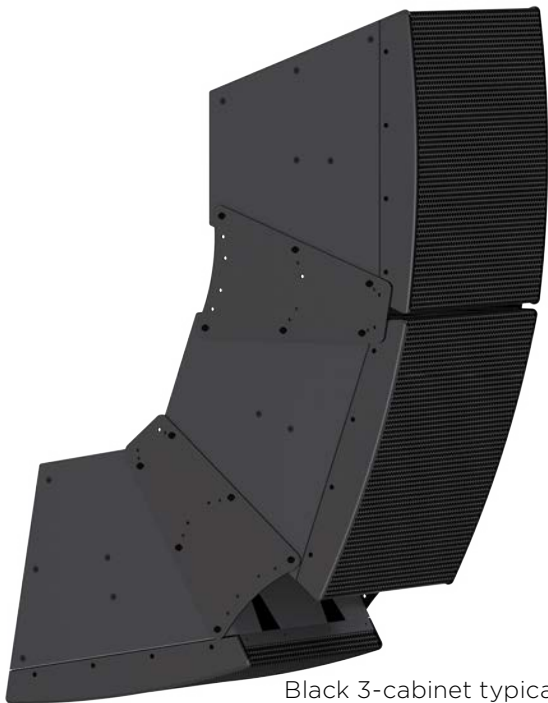
Indoor and outdoor rigging options are available from Polar Focus other certified third party vendors.



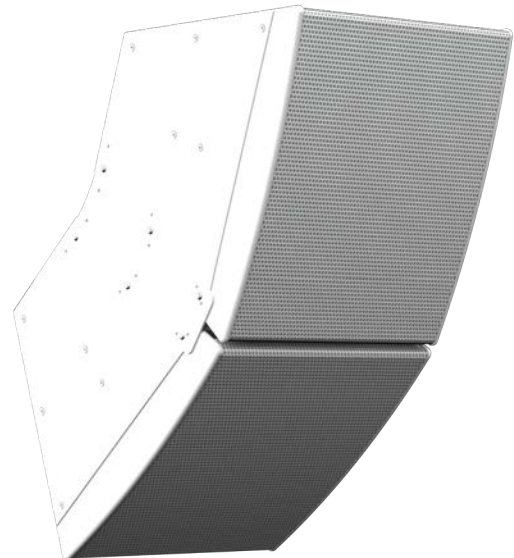
Black indoor LVH 900
Beamforming Venue Horn



Grey weather-resistant (WR)
2-cabinet outdoor array



Black 3-cabinet typical array
with upper cabinets throwing
further and lower cabinet in a
downfire position



White 2-cabinet indoor array

CAUTION: Installation of loudspeakers should only be performed by trained and qualified personnel. It is strongly recommended that a licensed and certified professional structural engineer approve the mounting design.